



# Hybrid Inverter

SUN-3K-SG04LP1-24-EU-SM1

SUN-3.6K-SG04LP1-EU-SM2

SUN-6K-SG04LP1-EU-SM2

SUN-3K-SG04LP1-EU-SM1

SUN-5K-SG04LP1-EU-SM2

## User Manual



---

# Contents

|  |       |
|--|-------|
| <b>1. Safety Introductions</b>                       | 01-02 |
| <b>2. Product instructions</b>                       | 02-06 |
| 2.1 Product Overview and Size                        |       |
| 2.2 Product Features                                 |       |
| 2.3 Basic System Architecture                        |       |
| <b>3. Installation</b>                               | 07-27 |
| 3.1 Parts list                                       |       |
| 3.2 Product handling requirements                    |       |
| 3.3 Mounting instructions                            |       |
| 3.4 Battery connection                               |       |
| 3.5 Grid connection and backup load connection       |       |
| 3.6 PV Connection                                    |       |
| 3.7 CT Connection                                    |       |
| 3.7.1 Meter Connection                               |       |
| 3.8 Earth Connection(mandatory)                      |       |
| 3.9 WIFI Connection                                  |       |
| 3.10 Wiring System for Inverter                      |       |
| 3.11 Typical application diagram of diesel generator |       |
| 3.12 Single phase parallel connection diagram        |       |
| 3.13 Three phase Parallel Inverter                   |       |
| <b>4. OPERATION</b>                                  | 28    |
| 4.1 Power ON/OFF                                     |       |
| 4.2 Operation and Display Panel                      |       |
| <b>5. LCD Display Icons</b>                          | 29-43 |
| 5.1 Main Screen                                      |       |
| 5.2 Solar Power Curve                                |       |
| 5.3 Curve Page-Solar & Load & Grid                   |       |
| 5.4 System Setup Menu                                |       |
| 5.5 Basic Setup Menu                                 |       |
| 5.6 Battery Setup Menu                               |       |
| 5.7 System Work Mode Setup Menu                      |       |
| 5.8 Grid Setup Menu                                  |       |
| 5.9 The method of CEI-021 Standard Self-Check        |       |
| 5.10 Generator Port Use Setup Menu                   |       |
| 5.11 Advanced Function Setup Menu                    |       |
| 5.12 Device Info Setup Menu                          |       |
| <b>6. Mode</b>                                       | 43-45 |
| <b>7. Fault information and processing</b>           | 45-48 |
| <b>8. Limitation of Liability</b>                    | 48    |
| <b>9. Datasheet</b>                                  | 49-50 |
| <b>10. Appendix I</b>                                | 51-53 |
| <b>11. Appendix II</b>                               | 54    |
| <b>12. EU Declaration of Conformity</b>              | 54-55 |

## About This Manual

The manual mainly describes the product information, guidelines for installation, operation and maintenance. The manual cannot include complete information about the photovoltaic (PV) system.








## How to Use This Manual

Read the manual and other related documents before performing any operation on the inverter. Documents must be stored carefully and be available at all times.

**Contents may be periodically updated or revised due to product development. The information in this manual is subject to change without notice.** The latest manual can be acquired via [service@deye.com.cn](mailto:service@deye.com.cn)

## 1. Safety Introductions

### Labels description

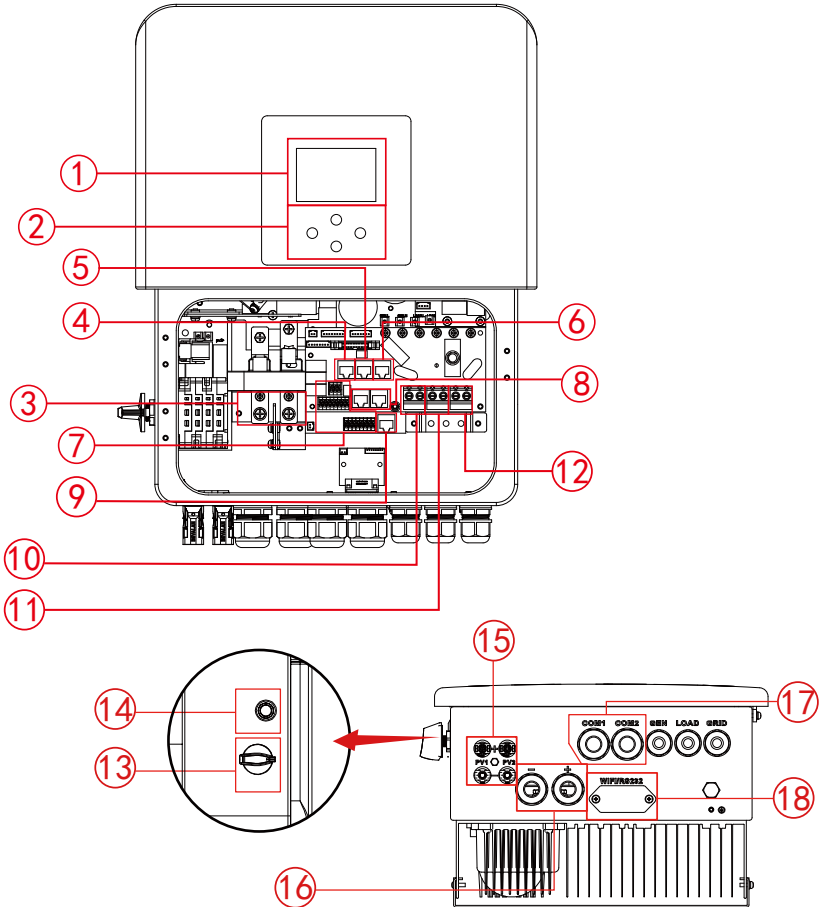
| Label   | Description   |
|---|---|
|    | Caution, risk of electric shock symbol indicates important safety instructions, which if not correctly followed, could result in electric shock.  |
|    | The DC input terminals of the inverter must not be grounded.  |
|    | Surface high temperature, Please do not touch the inverter case.  |
|    | The AC and DC circuits must be disconnected separately, and the maintenance personnel must wait for 5 minutes before they are completely powered off before they can start working.   |
|  | CE mark of conformity   |
|  | Please read the instructions carefully before use.  |
|  | Symbol for the marking of electrical and electronics devices according to Directive 2002/96/EC. Indicates that the device, accessories and the packaging must not be disposed as unsorted municipal waste and must be collected separately at the end of the usage. Please follow Local Ordinances or Regulations for disposal or contact an authorized representative of the manufacturer for information concerning the decommissioning of equipment. |

- 
- This chapter contains important safety and operating instructions. Read and keep this manual for future reference.
  - Before using the inverter, please read the instructions and warning signs of the battery and corresponding sections in the instruction manual.
  - Do not disassemble the inverter. If you need maintenance or repair, take it to a professional service center.
  - Improper reassembly may result in electric shock or fire.
  - To reduce risk of electric shock, disconnect all wires before attempting any maintenance or cleaning. Turning off the unit will not reduce this risk.
  - Caution: Only qualified personnel can install this device with battery.
  - Never charge a frozen battery.
  - For optimum operation of this inverter, please follow required specification to select appropriate cable size. It is very important to correctly operate this inverter.
  - Be very cautious when working with metal tools on or around batteries. Dropping a tool may cause a spark or short circuit in batteries or other electrical parts, even cause an explosion.
  - Please strictly follow installation procedure when you want to disconnect AC or DC terminals. Please refer to "Installation" section of this manual for the details.
  - Grounding instructions - this inverter should be connected to a permanent grounded wiring system. Be sure to comply with local requirements and regulation to install this inverter.
  - Never cause AC output and DC input short circuited. Do not connect to the mains when DC input short circuits.

## **2. Product Introductions**

This is a multifunctional inverter, combining functions of inverter, solar charger and battery charger to offer uninterruptible power support with portable size. Its comprehensive LCD display offers user configurable and easy accessible button operation such as battery charging, AC/solar charging, and acceptable input voltage based on different applications.

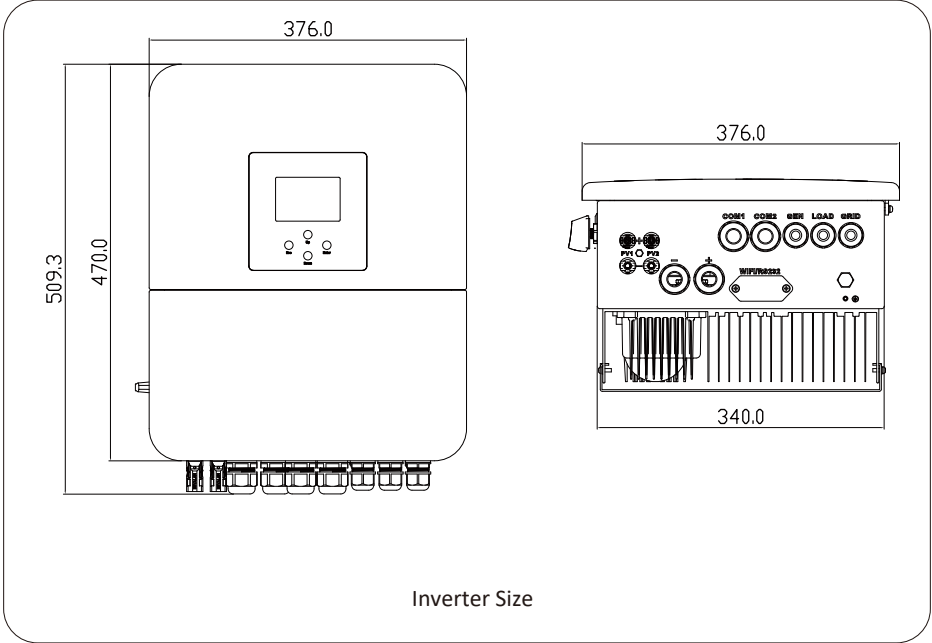
## 2.1 Product Overview and Size



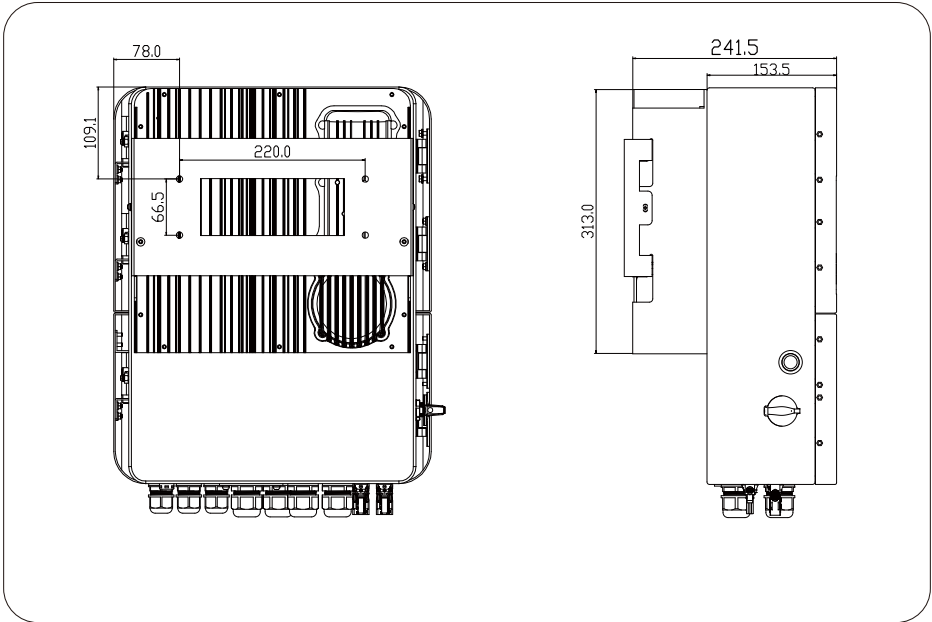
- |                             |                     |                         |
|-----------------------------|---------------------|-------------------------|
| 1: LCD display              | 7: Function Port    | 13: DC Switch           |
| 2: Function Buttons         | 8: Parallel port    | 14: Power on/off button |
| 3: Battery input connectors | 9: DRM port         | 15: PV input            |
| 4: Modbus Port              | 10: Generator input | 16: Battery             |
| 5: RS485/CAN Port           | 11: Load            | 17: Temperature sensor  |
| 6: Meter Port               | 12: Grid            | 18: WiFi Interface      |

SUN-3K-SG04LP1-24-EU-SM1

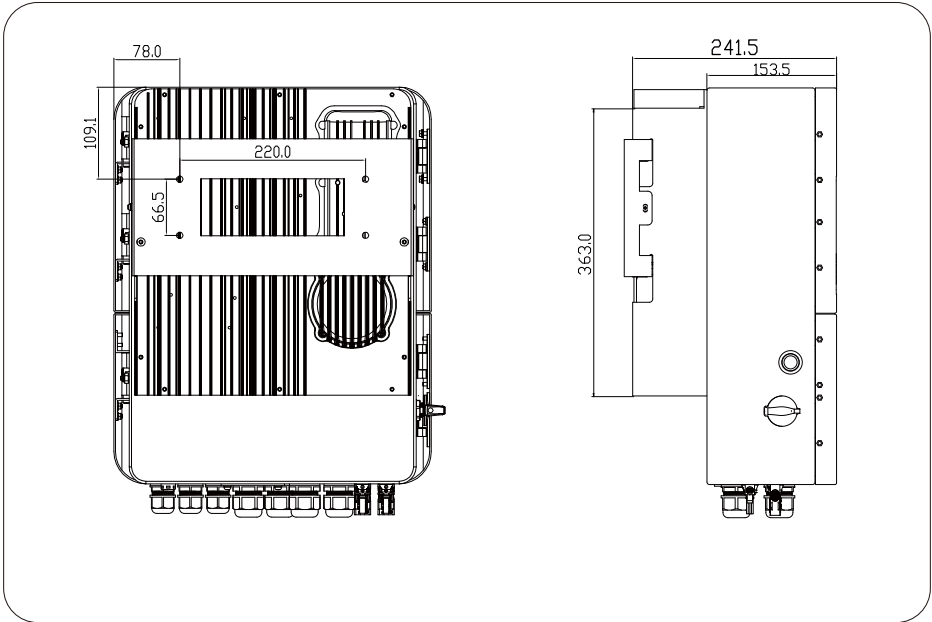
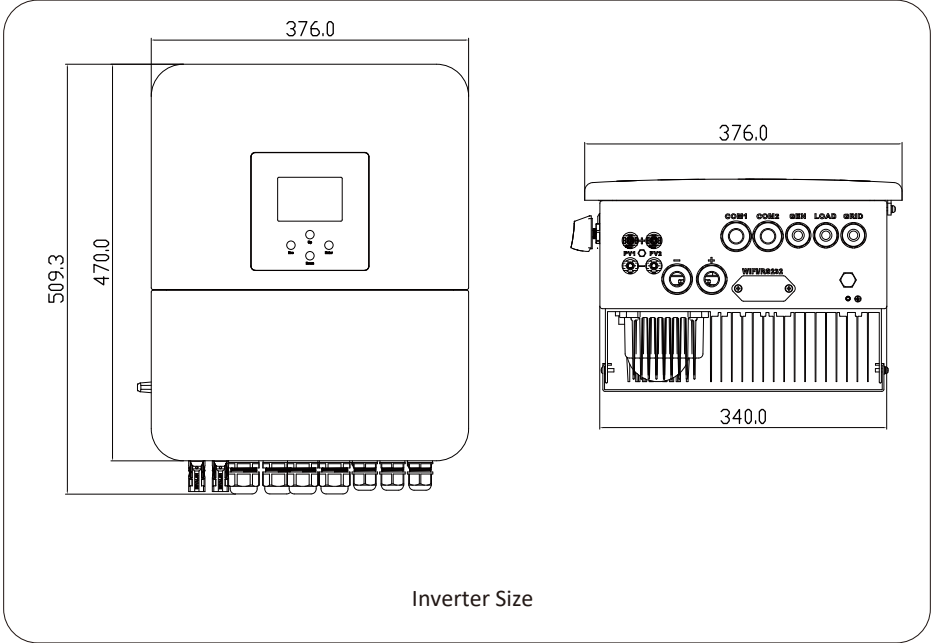
SUN-3K-SG04LP1-EU-SM1 / SUN-3.6K-SG04LP1-EU-SM2



Inverter Size



SUN-5K-SG04LP1-EU-SM2 / SUN-6K-SG04LP1-EU-SM2



## 2.2 Product Features

- Self-consumption and feed-in to the grid.
- Auto restart while AC is recovering.
- Programmable supply priority for battery or grid.
- Programmable multiple operation modes: On grid, off grid and UPS.
- Configurable battery charging current/voltage based on applications by LCD setting.
- Configurable AC/Solar/Generator Charger priority by LCD setting.
- Compatible with mains voltage or generator power.
- Overload/over temperature/short circuit protection.
- Smart battery charger design for optimized battery performance
- With limit function, prevent excess power overflow to the grid.
- Supporting WIFI monitoring and build-in 2 strings of MPP trackers
- Smart settable three stages MPPT charging for optimized battery performance.
- Time of use function.
- Smart Load Function.

## 2.3 Basic System Architecture

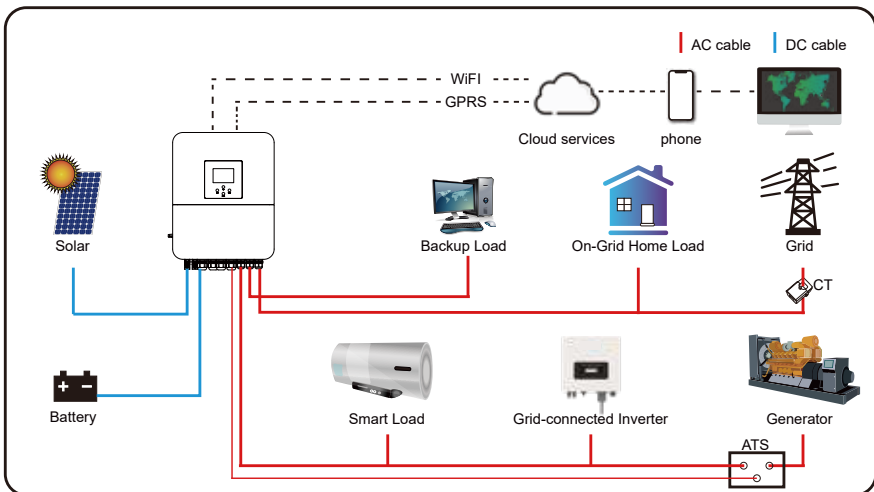
The following illustration shows basic application of this inverter.

It also includes following devices to have a Complete running system.

- Generator or Utility
- PV modules

Consult with your system integrator for other possible system architectures depending on your requirements.

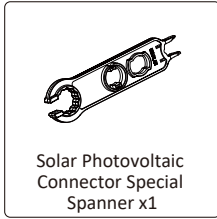
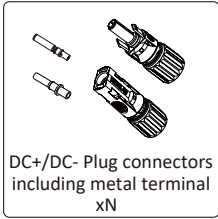
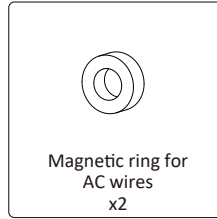
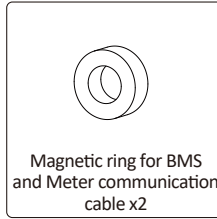
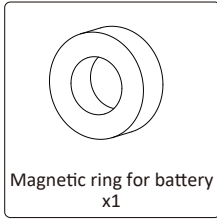
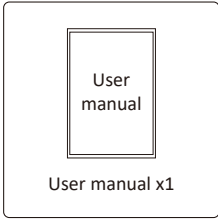
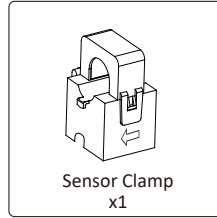
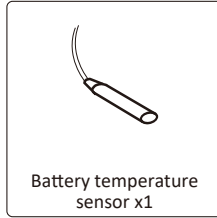
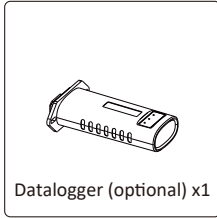
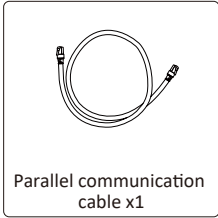
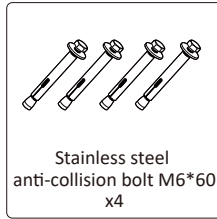
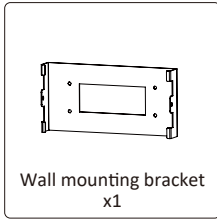
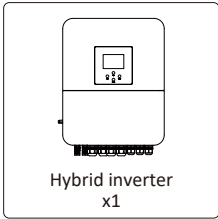
This inverter can power all kinds of appliances in home or office environment, including motor type appliances such as refrigerator and air conditioner.



### 3. Installation

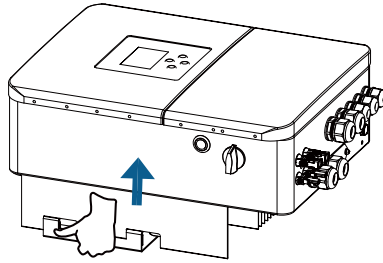
#### 3.1 Parts List

Check the equipment before installation. Please make sure nothing is damaged in the package. You should have received the items in the following package:



## 3.2 Product handling requirements

Lift the inverter out of the packing box and transport it to designated installation location.



transport



### CAUTION:

Improper handling may cause personal injury!

- Arrange an appropriate number of personnel to carry the inverter according to its weight, and installation personnel should wear protective equipment such as anti-impact shoes and gloves.
- Placing the inverter directly on a hard ground may cause damage to its metal enclosure. Protective materials such as sponge pad or foam cushion should be placed underneath the inverter.
- Move the inverter by one or two people or by using a proper transport tool.
- Move the inverter by holding the handles on it. Do not move the inverter by holding the terminals.

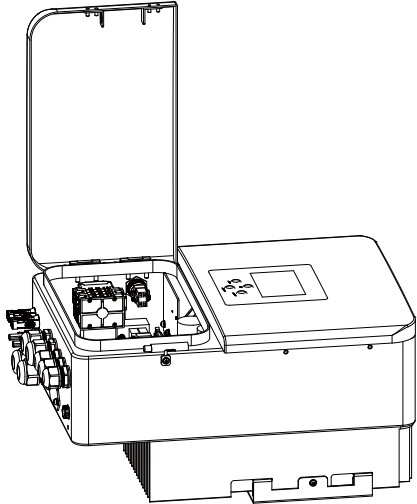
## 3.3 Mounting instructions

### Installation Precaution

This Hybrid inverter is designed for outdoor use(IP65), Please make sure the installation site meets below conditions:


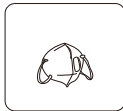


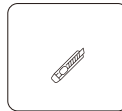
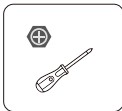
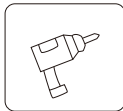
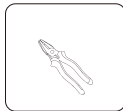

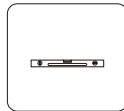

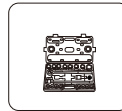
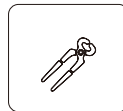

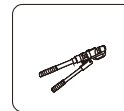
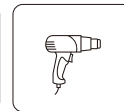
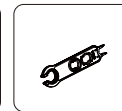
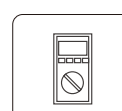


- Not in direct sunlight
- Not in areas where highly flammable materials are stored.
- Not in potential explosive areas.
- Not in the cool air directly.
- Not near the television Antenna or antenna cable.
- Not higher than altitude of about 2000 meters above sea level.
- Not in environment of precipitation or humidity(>95%)

Please AVOID direct sunlight, rain exposure, snow laying up during installation and operation. Before connecting all wires, please take off the metal cover by removing screws as shown below:



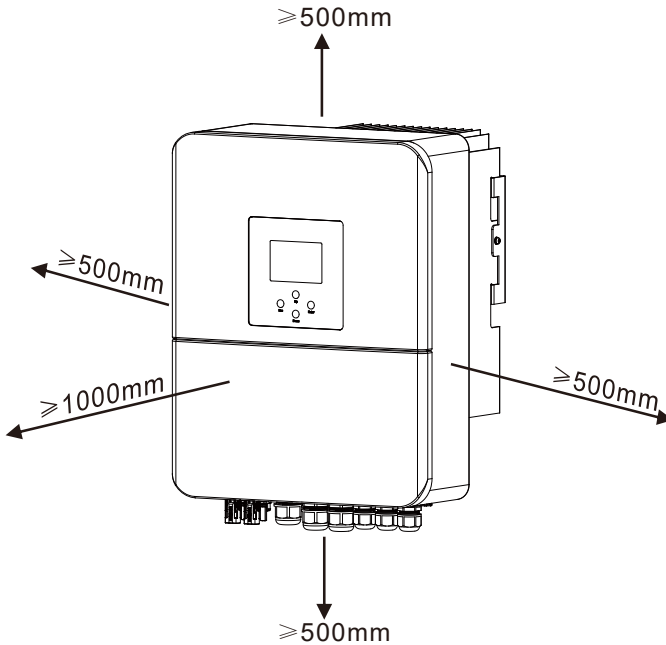
### Installations Tools

Installation tools can refer to the following recommended ones. Also, use other auxiliary tools on site.

|  |   |   |   |   |   |   |
|--|---|---|---|---|---|---|
|   |   |   |   |   |   |   |
| Protective goggles   | Anti-dust mask  | Earplugs  | Work gloves   | Work shoes  | Utility Knife   | Slotted screwdriver   |
|  |  |  |  |  |  |  |
| Cross screwdriver  | Percussion drill  | Pliers  | Marker  | Level   | Rubber hammer   | socket wrenches set   |
|  |  |  |  |  |  |  |
| Anti-static wrist strap  | Wire cutter   | Wire stripper   | Hydraulic pliers  | Heat gun  | Crimping tool4-6mm <sup>2</sup>   | Solar connector wrench  |
|  |  |  |   |   |   |   |
| Multimeter ≥1100 Vdc   | RJ45 crimping plier   | Cleaner   |   |   |   |   |

## Considering the following points before selecting where to install:

- Please select a vertical wall with load-bearing capacity for installation, suitable for installation on concrete or other non-flammable surfaces, installation is shown below.
- Install this inverter at eye level in order to allow the LCD display to be read at all times.
- The ambient temperature is recommended to be between  $-40^{\circ}\text{C}$ ~ $60^{\circ}\text{C}$  to ensure optimal operation.
- Be sure to keep other objects and surfaces as shown in the diagram to guarantee sufficient heat dissipation and have enough space for removing wires.

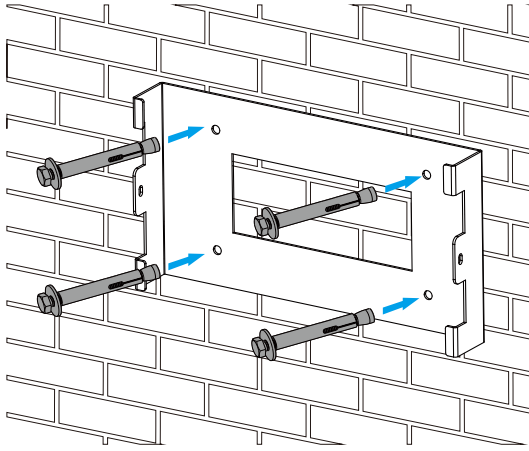


For proper air circulation to dissipate heat, allow a clearance of approx. 50cm to the side and approx. 50cm above and below the unit. And 100cm to the front.

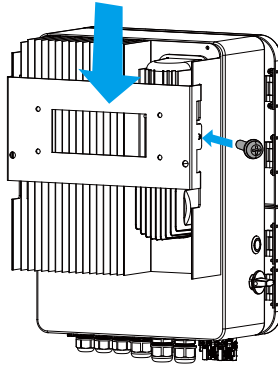
## Mounting the inverter

Remember that this inverter is heavy! Please be careful when lifting out from the package. Choose the recommend drill head(as shown in below pic) to drill 4 holes on the wall, 82-90mm deep.

1. Use a proper hammer to fit the expansion bolt into the holes.
2. Carry the inverter and holding it, make sure the hanger aim at the expansion bolt, fix the inverter on the wall.
3. Fasten the screw head of the expansion bolt to finish the mounting.



Inverter hanging plate installation



### 3.4 Battery connection

For safe operation and compliance, a separate DC over-current protector or disconnect device is required between the battery and the inverter. In some applications, switching devices may not be required but over-current protectors are still required. Refer to the typical amperage in the table below for the required fuse or circuit breaker size.

| <i>Model</i> | <i>Wire Size</i> | <i>Cable(mm<sup>2</sup>)</i> | <i>Torque value(max)</i> |
|--------------|------------------|------------------------------|--------------------------|
| 3kW-24       | 0AWG             | 50                           | 5.2Nm                    |
| 3kW          | 4AWG             | 16                           | 5.2Nm                    |
| 3.6kW        | 2AWG             | 25                           | 5.2Nm                    |
| 5kW          | 1AWG             | 35                           | 5.2Nm                    |
| 6kW          | 0AWG             | 50                           | 5.2Nm                    |

Chart 3-2 Cable size



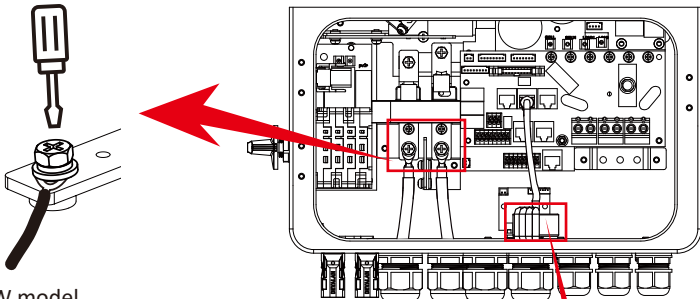
All wiring must be performed by a professional person.



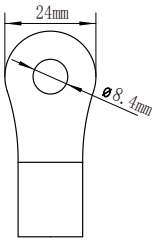
Connecting the battery with a suitable cable is important for safe and efficient operation of the system. To reduce the risk of injury, refer to Chart 3-2 for recommended cables.

Please follow below steps to implement battery connection:

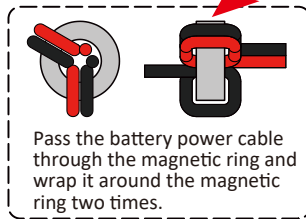
1. Please choose a suitable battery cable with correct connector which can well fit into the battery terminals.
2. Use a suitable screwdriver to unscrew the bolts and fit the battery connectors in, then fasten the bolt by the screwdriver, make sure the bolts are tightened with torque of 5.2 N.m in clockwise direction.
3. Make sure polarity at both the battery and inverter is correctly connected.



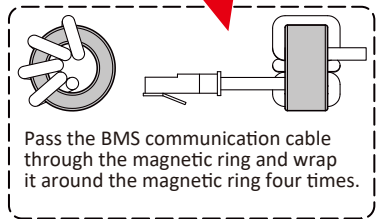
For 3/3.6/5/6kW model,  
battery connector screw size: M6



DC Battery Input



Pass the battery power cable through the magnetic ring and wrap it around the magnetic ring two times.



Pass the BMS communication cable through the magnetic ring and wrap it around the magnetic ring four times.

4. In case of children touch or insects go into the inverter, Please make sure the inverter connector is fasten to waterproof position by twist it clockwise.

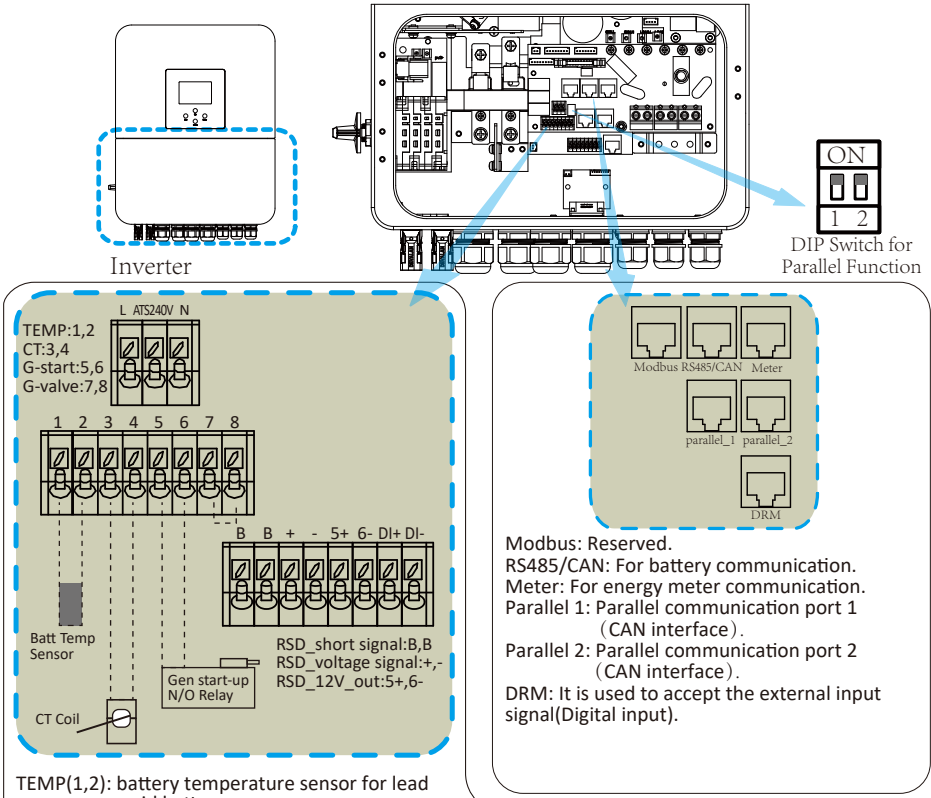


Installation must be performed with care.



Before making the final DC connection or closing DC breaker/disconnect, be sure positive(+) must be connect to positive(+) and negative(-) must be connected to negative(-). Reverse polarity connection on battery will damage the inverter.

### 3.4.2 Function port definition



TEMP(1,2): battery temperature sensor for lead acid battery.

CT(3,4): current transformer for "zero export to CT" mode.

G-start/G-valve(5,6/7,8): dry contact signal for startup the diesel generator. When the "GEN signal" is active, the open contact (G-start/G-valve) will switch on (no voltage output). If the "Signal ISLAND MODE" is ticked, the G-valve port will be the dry contact signal for startup the diesel generator. If "Signal ISLAND MODE" is not ticked, the G-start port will be the dry contact signal for startup the diesel generator.

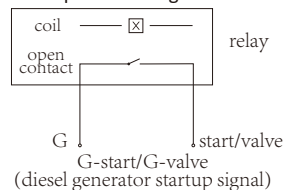
ATS240V: If the conditions are met, it will output 230Vac. DIP Switch for ATS240V: This DIP Switch (2 set ) is used to turn on/off the output voltage of ATS port. When both of them is in "ON" position, then the output voltage of ATS port will be active. When both of them is in "OFF" position, then the output voltage of ATS port will be not active.

RSD\_short signal/RSD\_voltage signal(B,B/+,-): when the terminal "B" & "B" is short-circuited with additional wire connection, or there's 12Vdc input at the terminal "+ & - ", then the 12Vdc of RSD+ & RSD- will disappear immediately, and the inverter will shutdown immediately.

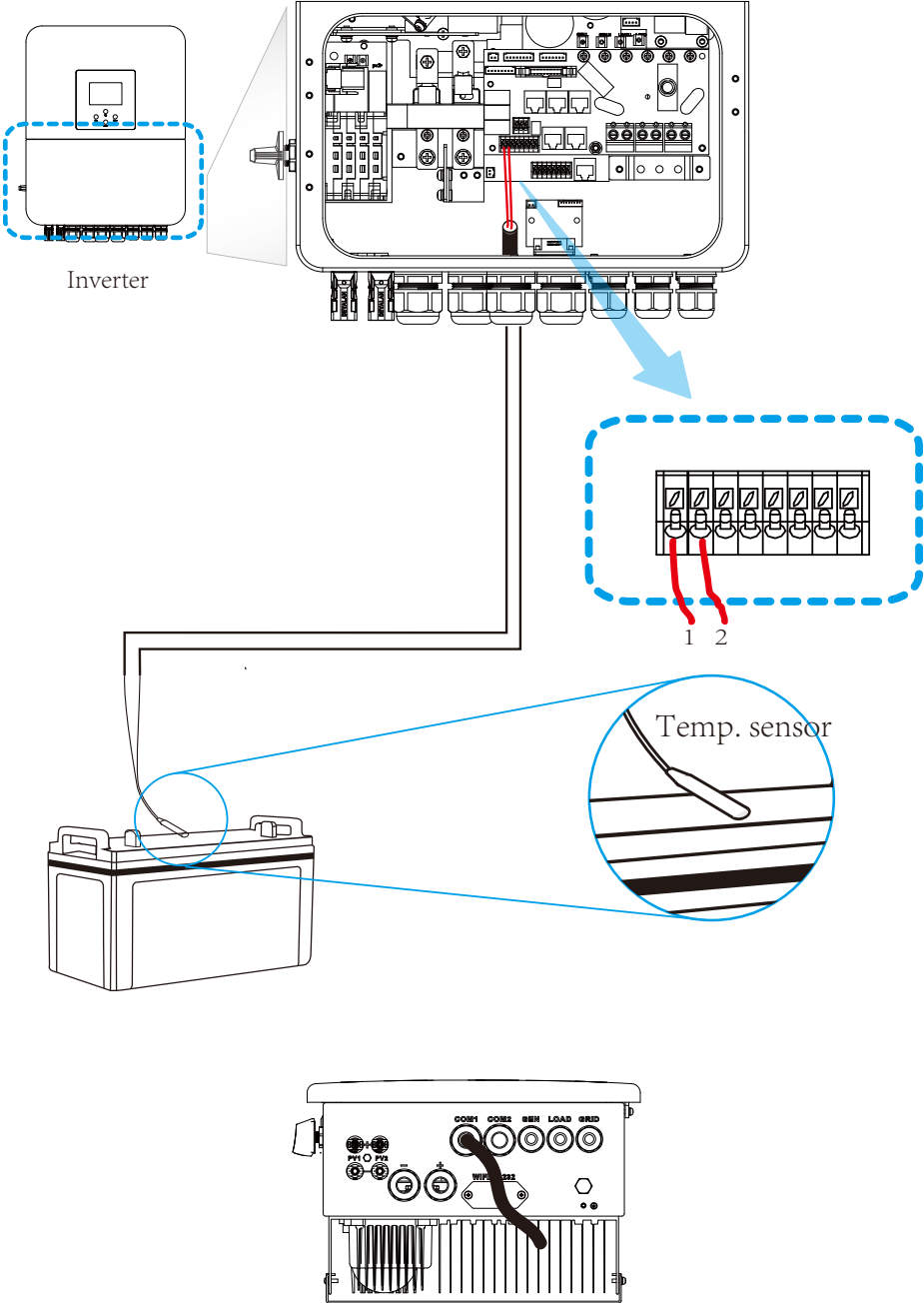
RSD\_12V\_out(5+,6-): When battery is connected and the inverter is in "ON" status, it will provide 12Vdc. DI+,DI-: According to "Article 14a of the German Energy Industry Act (EnWG)" (2024) The Energy Industry Act, The digital interface DI of the hybrid inverters can receive an external control signal to reduce the charging power from the grid to less than 4.2kW. When the signal disappears, the inverter can return to its previous operating state. Note: This newly developed interface may not have in older hardware versions of inverters.

DIP Switch for Parallel Function: Parallel communication resistor. If the number of inverters in the parallel system is less than or equal to 6, all inverter's DIP switch (1&2) need be ON position. If the number of inverters in parallel system exceeds 6, the main 6pcs inverter's DIP switch needs to be ON position. And the other inverter DIP switch (1&2) needs to be OFF position.

Modbus: Reserved.  
 RS485/CAN: For battery communication.  
 Meter: For energy meter communication.  
 Parallel 1: Parallel communication port 1 (CAN interface).  
 Parallel 2: Parallel communication port 2 (CAN interface).  
 DRM: It is used to accept the external input signal(Digital input).



### 3.4.3 Temperature sensor connection for lead-acid battery



### 3.5 Grid connection and backup load connection

- Before connecting to the grid, a separate AC breaker must be installed between the inverter and the grid, and also between the backup load and the inverter. This will ensure the inverter can be securely disconnected during maintenance and fully protected from over current. For the 3/3.6/5/6kW model, the recommended AC breaker for backup load is 40A. For the 3/3.6/5/6kW model, the recommended AC breaker for grid is 40A.
- There are three terminal blocks with "Grid" "Load" and "GEN" markings. Please do not misconnect input and output connectors.



**Note:**

In final installation, breaker certified according to IEC 60947-1 and IEC 60947-2 shall be installed with the equipment.

All wiring must be performed by a qualified personnel. It is very important for system safety and efficient operation to use appropriate cable for AC input connection. To reduce risk of injury, please use the proper recommended cable as below.

Grid connection and backup load connection (Copper wires)

| <i>Model</i> | <i>Wire Size</i> | <i>Cable(mm<sup>2</sup>)</i> | <i>Torque value(max)</i> |
|--------------|------------------|------------------------------|--------------------------|
| 3kW          | 10AWG            | 4.0                          | 1.2Nm                    |
| 3.6/5/6kW    | 8AWG             | 6.0                          | 1.2Nm                    |

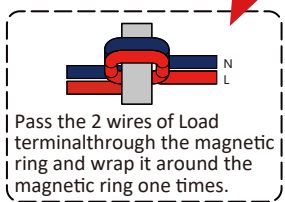
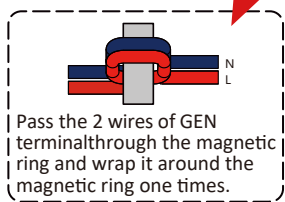
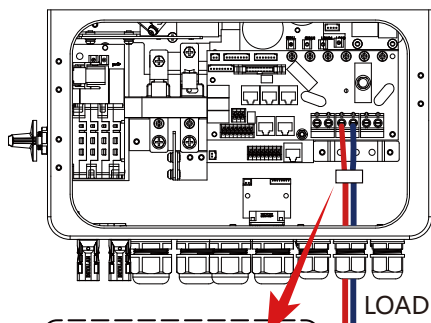
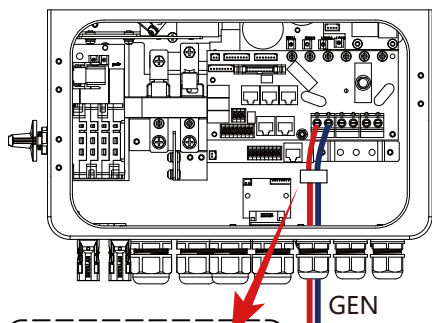
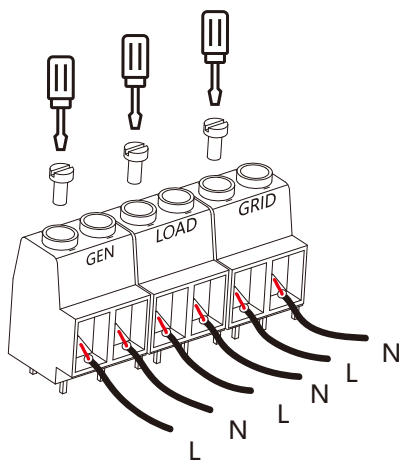
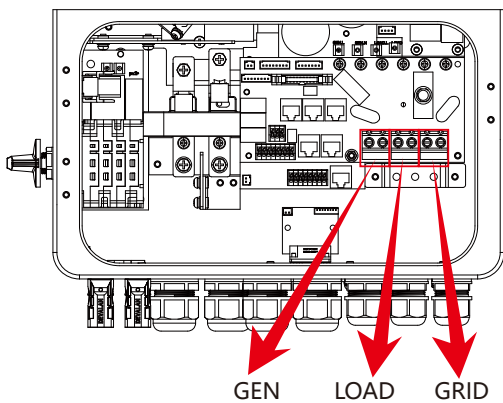
Grid connection and backup load connection (Copper wires) (Bypass)

| <i>Model</i> | <i>Wire Size</i> | <i>Cable(mm<sup>2</sup>)</i> | <i>Torque value(max)</i> |
|--------------|------------------|------------------------------|--------------------------|
| 3/3.6/5/6kW  | 8AWG             | 6.0                          | 1.2Nm                    |

Chart 3-3 Recommended Size for AC wires

**Please follow below steps to implement AC input/output connection:**

1. Before making Grid, load and Gen port connection, be sure to turn off AC breaker or disconnecter first.
2. Remove insulation sleeve 10mm length, unscrew the bolts. For GRID port, just insert the wires into the terminals according to polarities indicated on the terminal block. For GEN and Load ports, thread the wires through the magnetic ring firstly, then insert these wires into the terminals according to polarities indicated on the terminal block. Tighten the terminal screws and make sure the wires are completely and safely connected.





Be sure that AC power source is disconnected before attempting to wire it to the unit.

3. Then, insert AC output wires according to polarities indicated on the terminal block and tighten terminal. Be sure to connect corresponding N wires and PE wires to related terminals as well.
4. Make sure the wires are securely connected.
5. Appliances such as air conditioner are required at least 2-3 minutes to restart because it is required to have enough time to balance refrigerant gas inside of circuit. If a power shortage occurs and recovers in short time, it will cause damage to your connected appliances. To prevent this kind of damage, please check manufacturer of air conditioner if it is equipped with time-delay function before installation. Otherwise, this inverter will trigger overload fault and cut off output to protect your appliance but sometimes it still causes internal damage to the air conditioner

### 3.6 PV Connection

Before connecting to PV modules, please install a separately DC circuit breaker between inverter and PV modules. It is very important for system safety and efficient operation to use appropriate cable for PV module connection. To reduce risk of injury, please use the proper recommended cable size as below.

| <i>Model</i> | <i>Wire Size</i> | <i>Cable(mm )</i> |
|--------------|------------------|-------------------|
| 3/3.6/5/6kW  | 12AWG            | 2.5               |

Chart 3-4 Cable size



To avoid any malfunction, do not connect any PV modules with possible current leakage to the inverter. For example, grounded PV modules will cause current leakage to the inverter. When using PV modules, please ensure the PV+ & PV- of solar panel is not connected to the system ground bar.



It is requested to use PV junction box with surge protection. Otherwise, it will cause damage on inverter when lightning occurs on PV modules.

### 3.6.1 PV Module Selection:

When selecting proper PV modules, please be sure to consider below parameters:

- 1) Open circuit Voltage (Voc) of PV modules not exceeds max. PV array open circuit voltage of inverter.
- 2) Open circuit Voltage (Voc) of PV modules should be higher than min. start voltage.
- 3) The PV modules used to connected to this inverter shall be Class A rating certified according to IEC 61730.

| <i>Inverter Model</i>          | <i>SUN-3K-SG04LP1-24-EU-SM1</i> | <i>SUN-3K-SG04LP1-EU-SM1</i> | <i>SUN-3.6K-SG04LP1-EU-SM2</i> | <i>SUN-5K-SG04LP1-EU-SM2</i> | <i>SUN-6K-SG04LP1-EU-SM2</i> |
|--------------------------------|---------------------------------|------------------------------|--------------------------------|------------------------------|------------------------------|
| PV Input Voltage               | 370V (125V-500V)                |                              |                                |                              |                              |
| PV Array MPPT Voltage Range    | 150V-425V                       |                              |                                |                              |                              |
| No. of MPP Trackers            | 1                               |                              | 2                              |                              |                              |
| No. of Strings per MPP Tracker | 1                               | 1                            | 1+1                            | 1+1                          | 1+1                          |

Chart 3-5

### 3.6.2 PV Module Wire Connection:

1. Switch the Grid Supply Main Switch(AC)OFF.
2. Switch the DC Isolator OFF.
3. Assemble PV input connector to the inverter.



**Safety Hint:**

When using PV modules, please ensure the PV+ & PV- of solar panel is not connected to the system ground bar.



**Safety Hint:**

Before connection, please make sure the polarity of the output voltage of PV array matches the “DC+” and “DC-” symbols.

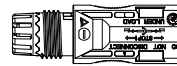


**Safety Hint:**

Before connecting inverter, please make sure the PV array open circuit voltage is within the 500V of the inverter.



Pic 3.1 DC+ male connector



Pic 3.2 DC- female connector

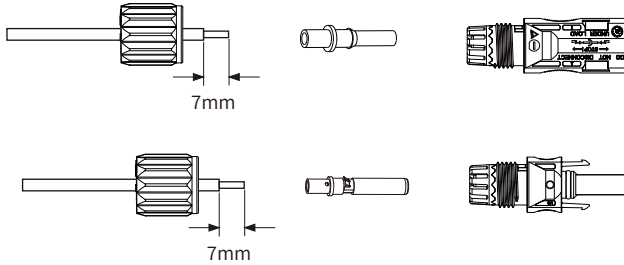


**Safety Hint:**

Please use approved DC cable for PV system.

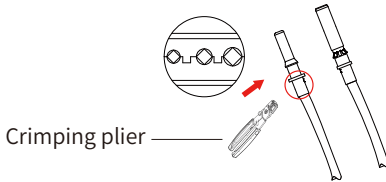
The steps to assemble the DC connectors are listed as follows:

a) Strip off the DC wire about 7mm, disassemble the connector cap nut (see picture 3.3).



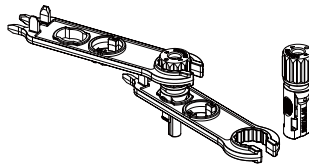
Pic 3.3 Disassemble the connector cap nut

b) Crimping metal terminals with crimping pliers as shown in picture 3.4.



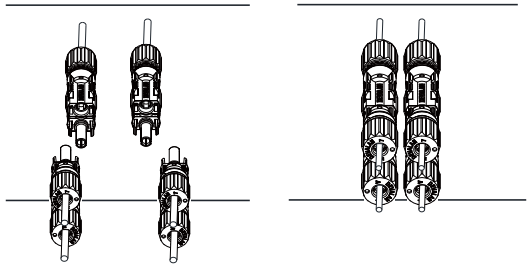
Pic 3.4 Crimp the contact pin to the wire

c) Insert the contact pin to the top part of the connector and screw up the cap nut to the top part of the connector. (as shown in picture 3.5).



Pic 3.5 connector with cap nut screwed on

d) Finally insert the DC connector into the positive and negative input of the inverter, shown as picture 3.6.



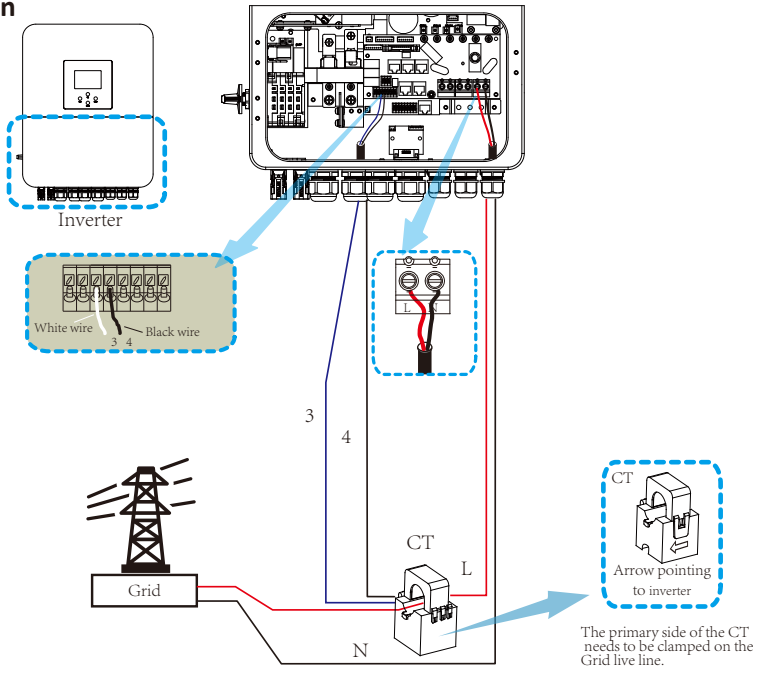
Pic 3.6 DC input connection



**Warning:**

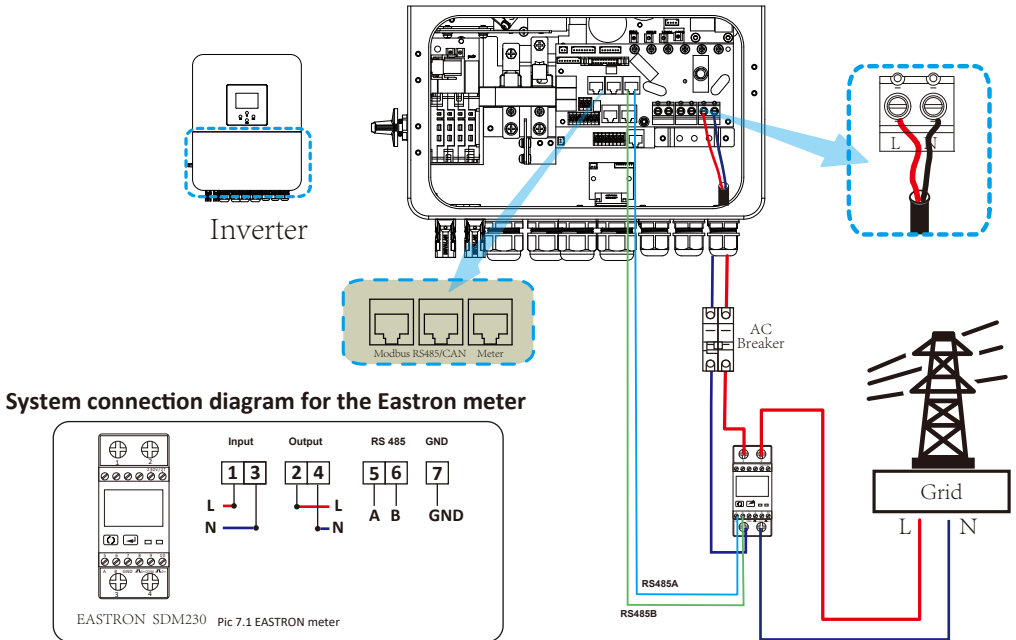
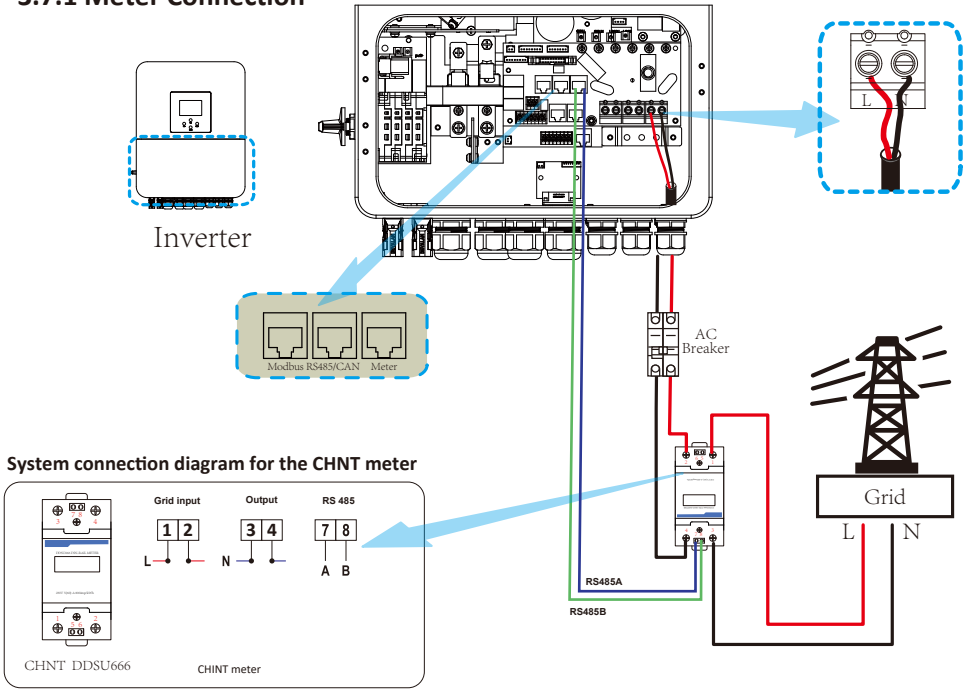
Sunlight shines on the panel will generate voltage, high voltage in series may cause danger to life. Therefore, before connecting the DC input line, the solar panel needs to be blocked by the opaque material and the DC switch should be 'OFF', otherwise, the high voltage of the inverter may lead to life-threatening conditions.

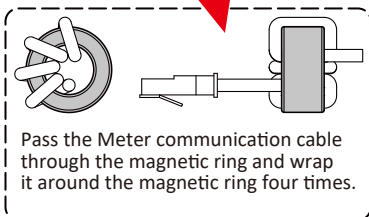
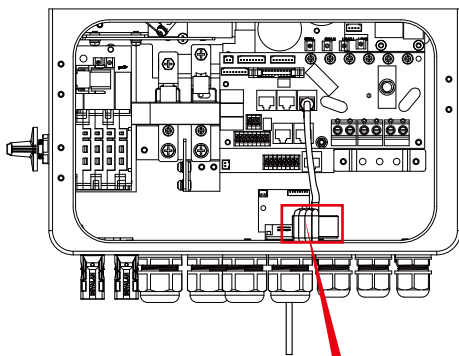
**3.7 CT Connection**



**\*Note:** when the reading of the load power on the LCD is not correct, please reverse the CT arrow.

### 3.7.1 Meter Connection

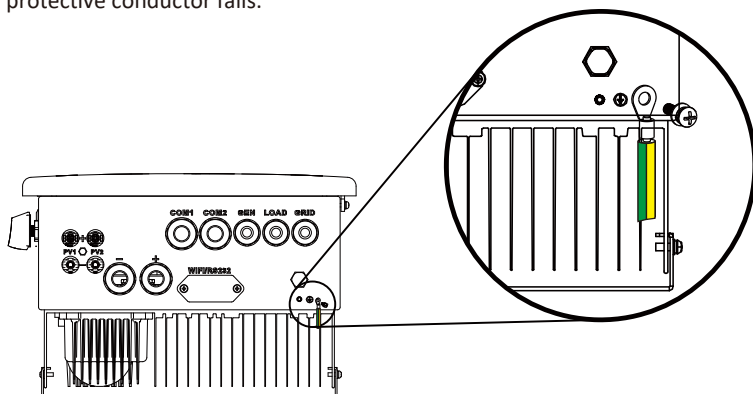




Pass the Meter communication cable through the magnetic ring and wrap it around the magnetic ring four times.

### 3.8 Earth Connection(mandatory)

Ground cable shall be connected to ground plate on grid side, this prevents electric shock if the original protective conductor fails.



Earth connection (Copper wires)

| Model     | Wire Size | Cable(mm <sup>2</sup> ) | Torque value(max) |
|-----------|-----------|-------------------------|-------------------|
| 3kW       | 10AWG     | 4.0                     | 1.2Nm             |
| 3.6/5/6kW | 8AWG      | 6.0                     | 1.2Nm             |

Earth connection (Copper wires) (Bypass)

| Model       | Wire Size | Cable(mm <sup>2</sup> ) | Torque value(max) |
|-------------|-----------|-------------------------|-------------------|
| 3/3.6/5/6kW | 8AWG      | 6.0                     | 1.2Nm             |



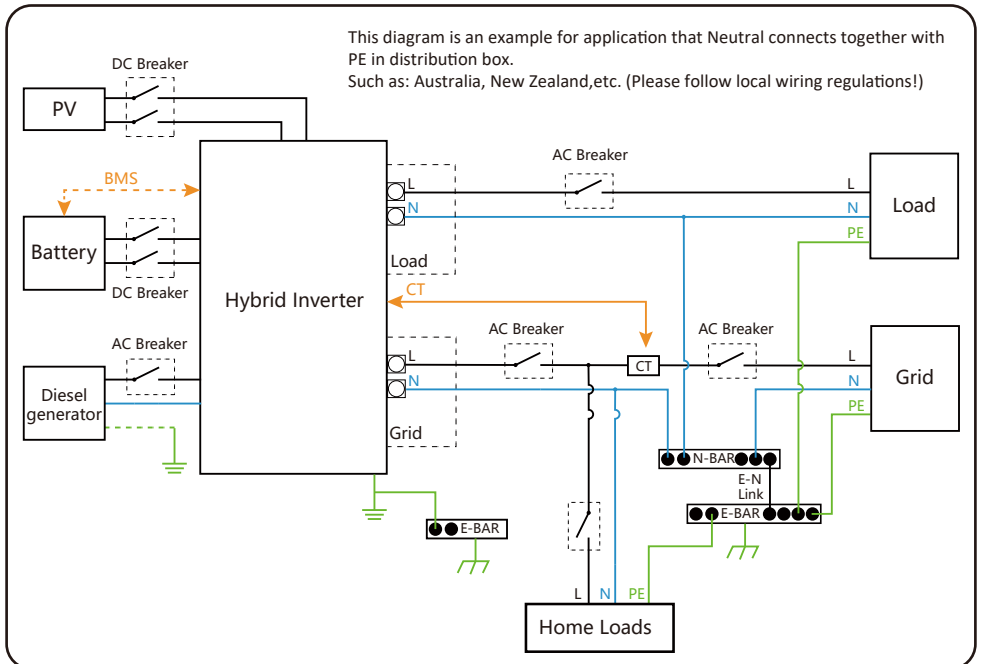
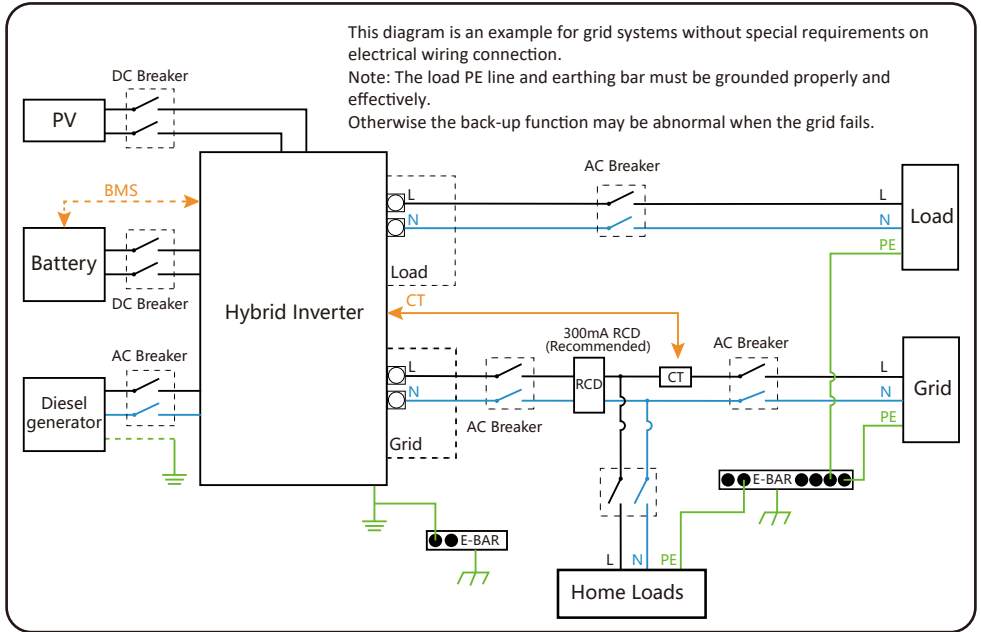
**Warning:**

Inverter has built-in leakage current detection circuit, The type A RCD can be connected to the inverter for protection according to the local laws and regulations. If an external leakage current protection device is connected, its operating current must be equal to 300 mA or higher, otherwise inverter may not work properly.

### 3.9 WIFI Connection

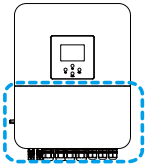
For the configuration of Wi-Fi Plug, please refer to illustrations of the Wi-Fi Plug. The Wi-Fi Plug is not a standard configuration, it's optional.

### 3.10 Wiring System for Inverter



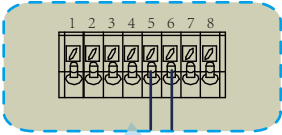
### 3.11 Typical application diagram of diesel generator

— CAN    — L wire    — N wire    — PE wire

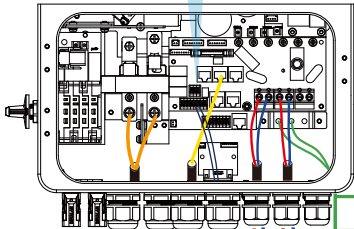


Inverter

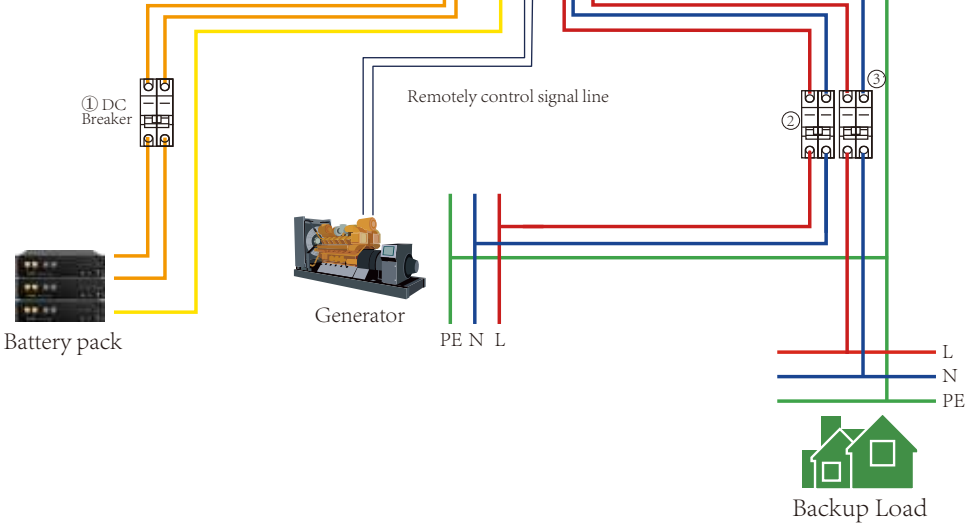
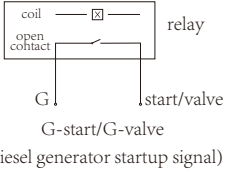
- ① DC Breaker for battery  
 SUN 3K-SG:90A DC breaker  
 SUN 3.6K-SG: 120A DC breaker  
 SUN 5K-SG: 150A DC breaker  
 SUN 6K-SG:200A DC breaker
- ② AC Breaker for gen port  
 SUN 3K-SG: 40A AC breaker  
 SUN 3.6K-SG: 40A AC breaker  
 SUN 5K-SG: 40A AC breaker  
 SUN 6K-SG: 40A AC breaker
- ③ AC Breaker for backup load port  
 SUN 3K-SG: 40A AC breaker  
 SUN 3.6K-SG: 40A AC breaker  
 SUN 5K-SG: 40A AC breaker  
 SUN 6K-SG: 40A AC breaker



Inverter



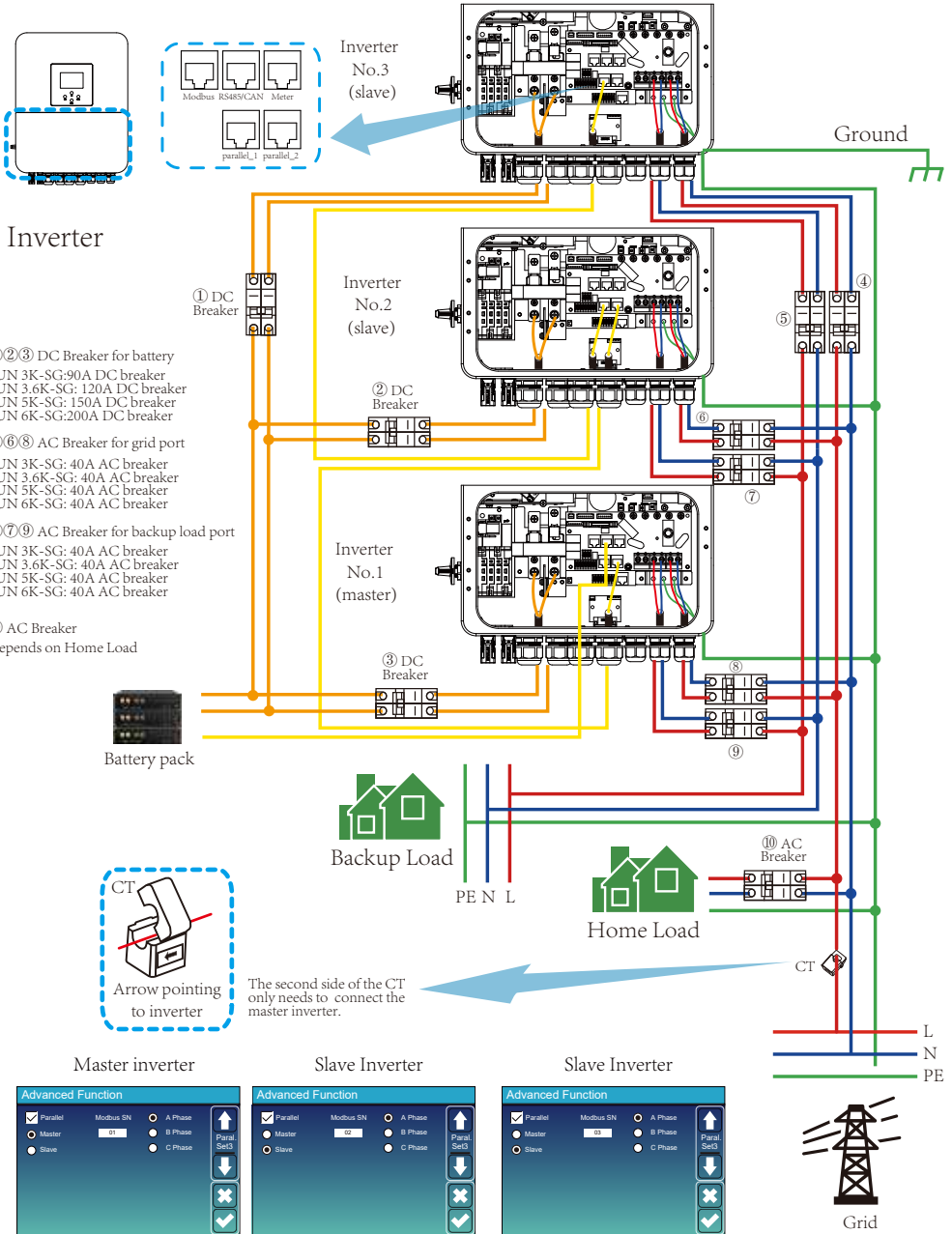
G-start/G-valve(5,6/7,8): dry contact signal for startup the diesel generator.  
 When the "GEN signal" is active, the open contact (G-start/G-valve) will switch on (no voltage output). If the "Signal ISLAND MODE" is ticked, the G-valve port will be the dry contact signal for startup the diesel generator. If "Signal ISLAND MODE" is not ticked, the G-start port will be the dry contact signal for startup the diesel generator.



### 3.12 Single phase parallel connection diagram

Note: For the parallel system, please choose the "Zero export to CT" mode.

— CAN    — L wire    — N wire    — PE wire



### 3.13 Three phase Parallel Inverter

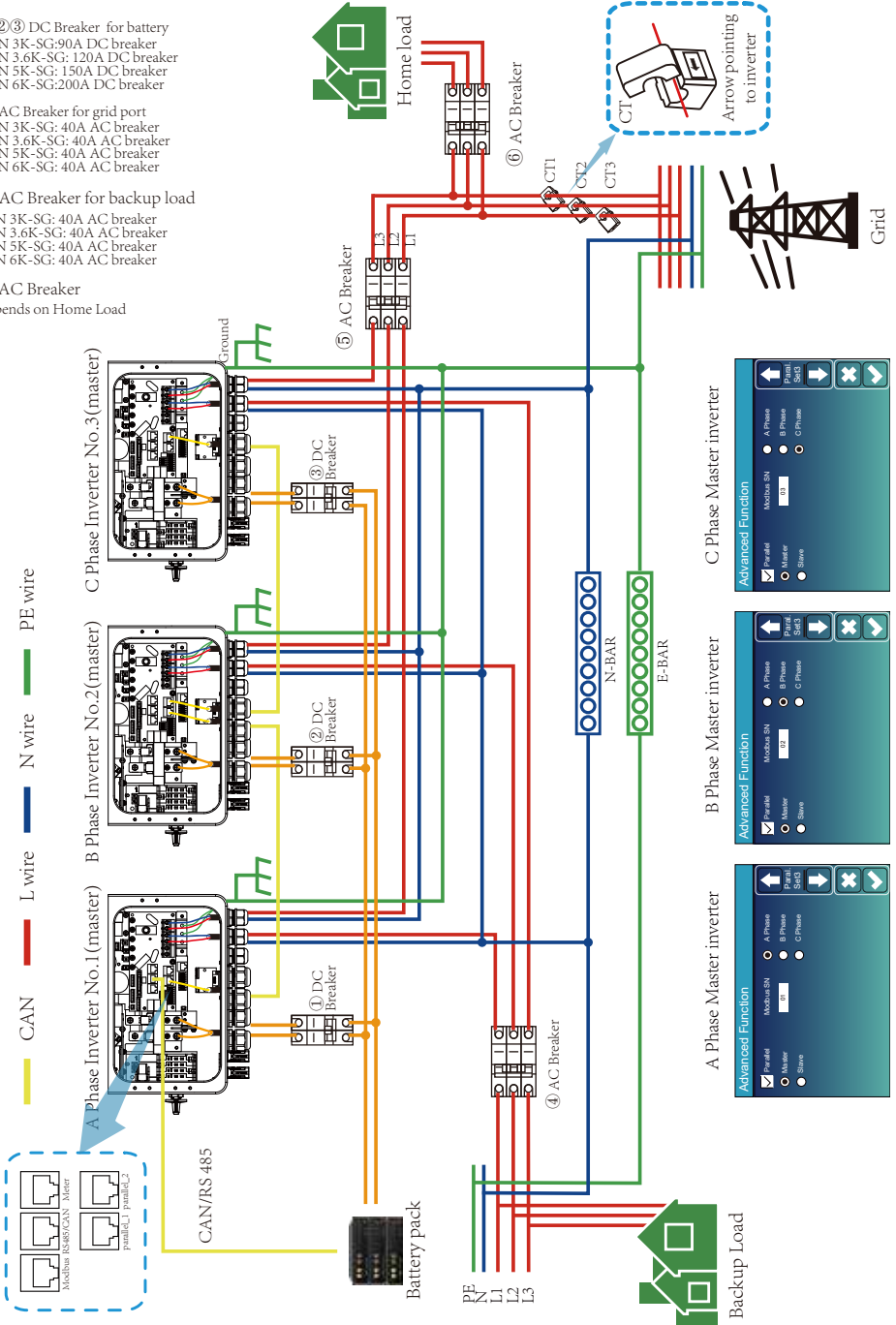
- ①②③ DC Breaker for battery  
SUN 3K-SG; 90A DC breaker  
SUN 3.6K-SG; 120A DC breaker  
SUN 5K-SG; 150A DC breaker  
SUN 6K-SG; 200A DC breaker

- ⑤ AC Breaker for grid port  
SUN 3K-SG; 40A AC breaker  
SUN 3.6K-SG; 40A AC breaker  
SUN 5K-SG; 40A AC breaker  
SUN 6K-SG; 40A AC breaker

- ④ AC Breaker for backup load  
SUN 3K-SG; 40A AC breaker  
SUN 3.6K-SG; 40A AC breaker  
SUN 5K-SG; 40A AC breaker  
SUN 6K-SG; 40A AC breaker

- ⑥ AC Breaker  
Depends on Home Load

Note: For the parallel system, please choose the "Zero export to CT" mode.



---

## 4. OPERATION

### 4.1 Power ON/OFF

Once the unit has been properly installed and the batteries are connected well, simply press On/Off button(located on the left side of the case) to turn on the unit. When system without battery connected, but connect with either PV or grid, and ON/OFF button is switched off, LCD will still light up(Display will show OFF), In this condition, when switch on ON/OFF button and select NO battery, system can still work.

### 4.2 Operation and Display Panel

The operation and display panel, shown in below chart, is on the front panel of the inverter. It includes four function keys and a LCD display, indicating the operating status and input/output power information.

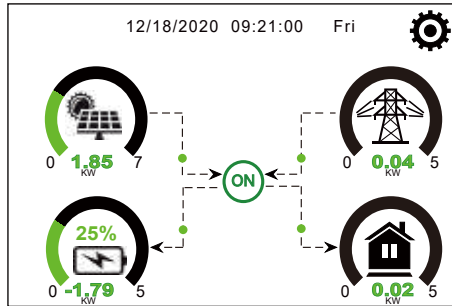
| <i>Function Key</i> | <i>Description</i>          |
|---------------------|-----------------------------|
| Esc                 | To exit setting mode        |
| Up                  | To go to previous selection |
| Down                | To go to next selection     |
| Enter               | To confirm the selection    |

Chart 4-2 Function Buttons

## 5. LCD Display Icons

### 5.1 Main Screen

The LCD is touchscreen, below screen shows the overall information of the inverter.



1.The icon in the center of the home screen indicates that the system is Normal operation. If it turns into "comm./FXX" , it means the inverter has communication errors or other errors, the error message will display under this icon(FXX errors, detail error info can be viewed in the System Alarms menu).

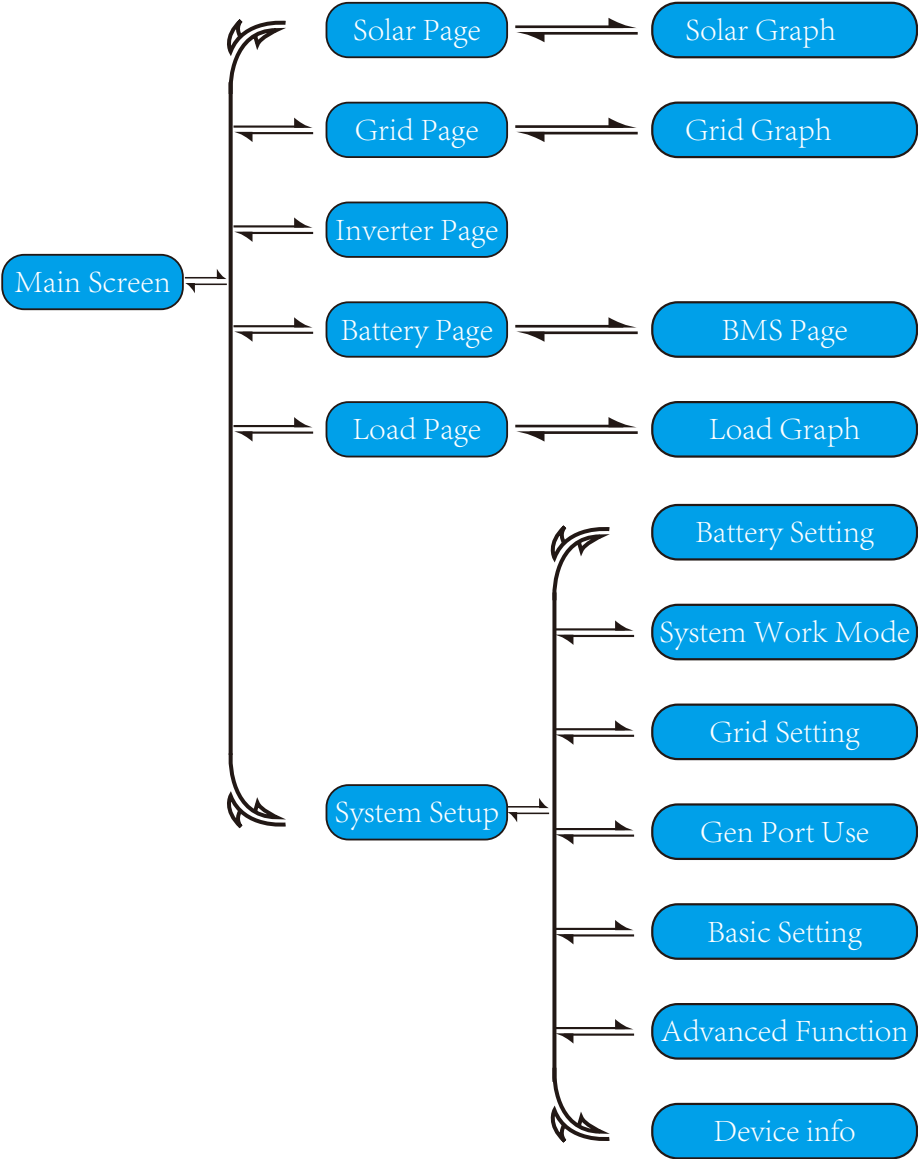
2.At the top of the screen is the time.

3.System Setup Icon, Press this set button,you can enter into the system setup screen which including Basic Setup, Battery Setup, Grid Setup, System Work Mode, Generator port use, Advanced function and Li-Batt info.

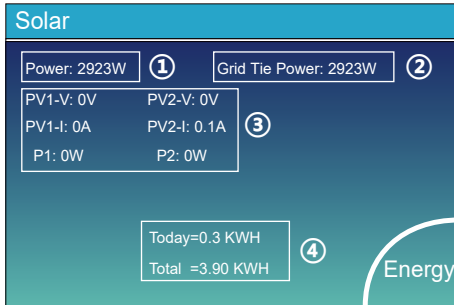
4.The main screen showing the info including Solar, Grid, Load and Battery. Its also displaying the energy flow direction by arrow. When the power is approximate to high level, the color on the panels will changing from green to red so system info showing vividly on the main screen.

- PV power and Load power always keep positive.
- Grid power negative means sell to grid, positive means get from grid.
- Battery power negative means charge, positive means discharge.

5.1.1 LCD operation flow chart

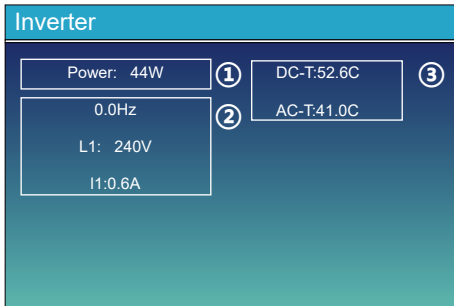


## 5.2 Solar Power Curve



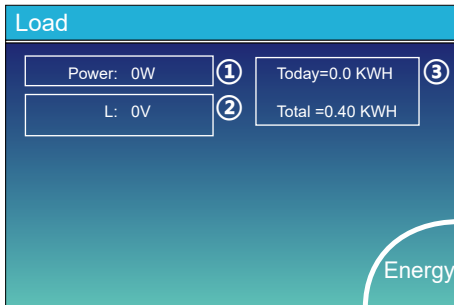
This is Solar Panel detail page.

- ① Solar Panel Generation.
- ② **Grid Tie Power:** when there's a string inverter AC couple at the grid or load side of hybrid inverter and there's a meter installed for the string inverter, then the hybrid inverter LCD will show the string inverter output power on its PV icon. Please make sure the meter can communicate with the hybrid inverter successfully.
- ③ Voltage, Current, Power for each MPPT.
- ④ Solar Panel energy for Day and Total.  
Press the "Energy" button will enter into the power curve page.



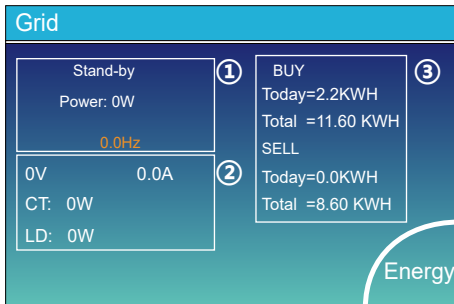
This is Inverter detail page.

- ① Inverter Generation.
- ② 0.0Hz: frequency after DC/AC.  
Voltage, Current, Power for each Phase.
- ③ \*DC-T: mean DC-DC temperature,  
AC-T: mean Heat-sink temperature.  
\*Note: this part info is not available for some LCD FW.



This is Load detail page.

- ① Load Power.
  - ② Voltage, Power for each Phase.
  - ③ Daily and total Load consumption .
- When you check "Selling First" or "Zero export to Load" on system work mode page, the information on this page is about backup load which connect on Load port of hybrid inverter.  
When you check "Zero export to CT" on system work mode page, the information on this page is including backup load and home load.  
Press the "Energy" button will enter into the power curve page.

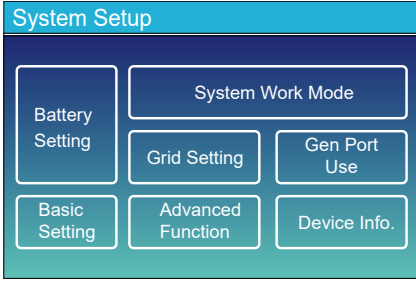


This is Grid detail page.

- ① Status, Power, Frequency.
- ② L: Voltage for each Phase  
CT: Power detected by the external current sensors  
LD: Power detected using internal sensors on AC grid in/out breaker
- ③ BUY: Energy from Grid to Inverter,  
SELL: Energy from Inverter to grid.  
Press the "Energy" button will enter into the power curve page.

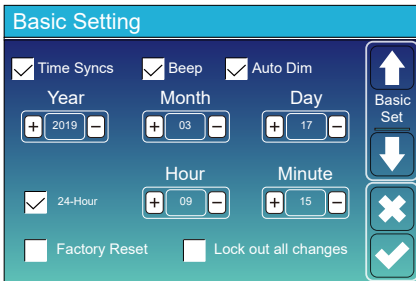


## 5.4 System Setup Menu



This is System Setup page.

## 5.5 Basic Setup Menu



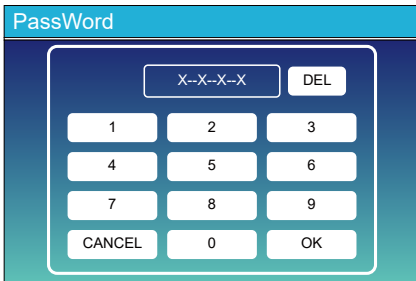
**Time Syncs:** synchronize cloud platform time. Enable the inverter to automatically

**Beep:** Used to turn on or off the beep sound in inverter's alarm status.

**Auto Dim:** Used to automatically adjust the brightness of the LCD display screen.

**Factory Reset:** Reset all parameters of the inverter.

**Lock out all changes:** Lock programmable parameters to prevent them from being changed.



When we select the "factory reset" or "Lock out all changes", the system will require us to enter a password first to confirm the operation.

**Factory Reset Password:** 9999

**Lock out all changes Password:** 7777

## 5.6 Battery Setup Menu

### Battery Setting

|   |   |       |   |
|---|---|-------|---|
| Batt Mode                                 |   |       |   |
| <input checked="" type="radio"/> Lithium  | Batt Capacity                                 | 400Ah | <input type="button" value="↑"/><br>Batt Mode<br><input type="button" value="↓"/> |
| <input type="radio"/> Use Batt V          | Max A Charge                                  | 40A   |   |
| <input type="radio"/> Use Batt %          | Max A Discharge                               | 40A   | <input type="button" value="✕"/><br><input type="button" value="✓"/>              |
| <input type="radio"/> No Batt             |   |       |   |
| <input type="checkbox"/> Activate Battery | <input type="checkbox"/> Disable Float Charge |       |   |

**Battery capacity:** When set the "Batt Mode" as "Use Batt %", battery capacity can be used to calibrate battery SOC.  
**Use Batt V:** Use Battery Voltage for all the settings (V).  
**Use Batt %:** Use Battery SOC for all the settings (%).  
**Max. A charge/discharge:** Max battery charge/discharge current(0-140A for 3KW-24 model,0-70A for 3KW model, 0-90A for 3.6KW model,0-120A for 5KW model, 0-135A for 6KW model).  
 For AGM and Flooded, we recommend setting the max A charge/discharge current as no more than battery capacity x 20%.  
 For Lithium, we recommend Ah battery size x 50% = Charge/Discharge amps.  
 For Gel, follow manufacturer's instructions.  
**No Batt:** tick this item if no battery is connected to the system.

**Active battery:** This feature will help recover a battery that is over discharged by slowly charging from the solar array or grid.

**Disable Float Charge:** For the lithium battery with BMS communication, the inverter will keep the charging voltage at the current voltage when the BMS charging current requested is 0. It is used to help prevent battery from being overcharged.

### Battery Setting

|                                     |                                      |     |   |
|-------------------------------------|--------------------------------------|-----|---|
| Start                               | 30%                                  | 30% |   |
| A                                   | 40A                                  | 40A | <input type="button" value="↑"/><br>Batt Set2<br><input type="button" value="↓"/> |
| <input type="checkbox"/> Gen Charge | <input type="checkbox"/> Grid Charge |     |   |
| <input type="checkbox"/> Gen Signal | <input type="checkbox"/> Grid Signal |     | <input type="button" value="✕"/><br><input type="button" value="✓"/>              |
| <input type="checkbox"/> Gen Force  |                                      |     |   |

**This is Battery Setup page. ①**

**Start =30%:** When battery SOC drop to 30%, the inverter will autostart the connected generator to charge the battery.

**A = 40A:** The maximum charging current allowed when only use generator power to charge the battery.

**Gen Charge:** Use the AC input power of GEN port to charge the battery.

**Gen Signal:** When conditions are sufficient, the inverter will close or open the normally open relay used to control the start and stop of generator.

**This is Grid Charge, you need select. ②**

**Start =30%:** No use, Just for customization.

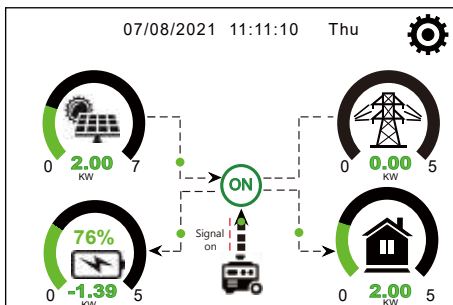
**A = 40A:** The maximum charging current allowed when only use grid power to charge the battery.

**Grid Charge:** It's allowed to absorb AC power from the grid port to charge the battery.

**Grid Signal:** When a generator is connected to the grid port of hybrid inverter, this "Grid signal" can be used to control the dry contact to start or stop the generator.

**③**

**Gen Force:** When the generator is connected, it is forced to start the generator without meeting other conditions.



When the "GEN signal" is active, the generator icon will appear on the main screen of inverter LCD display.

## Generator

Power: 1392W

Today=0.0 KWH

Total =2.20 KWH

L1: 228V

Freq:50.0Hz

Click the generator icon on the main screen, you can enter the 'Generator' detail page. The information contained on this page is as follows:

- (1) How much power is using from generator;
- (2) How much energy has used from generator in today or in total;
- (3) The output voltage and power on each phase of generator.

## Battery Setting

Lithium Mode

Shutdown

Low Batt

Restart



When the "Lithium" mode is selected, the content on the "Batt Set 3" page is shown in the figure on the left.

**Lithium Mode:** This is the BMS communication protocol code which can be confirmed on the "Approved Battery list" based on the battery model you are using.

**Shutdown:** Be valid in Off-grid mode, battery can discharge to this SOC, then the DC/AC inverter module of this inverter will be shut down and the solar power can only be used to charge the battery.

**Low Batt:** Be valid in On-grid mode, when the 'Grid charge' has been checked and the set target battery SOC on 'Time of Use' page isn't less than the "Low Batt" value, the battery SOC will remain above the value of "Low Batt" .

**Restart:** Be valid in Off-grid mode, after the DC/AC inverter module of this inverter is shut down, the PV power can only be used to charge the battery. After the battery SOC has resumed to this "Restart" value, the DC/AC inverter module will restart to output AC power.

## Battery Setting

Float V  ①

Absorption V

Equalization V

Equalization Days

Equalization Hours

Shutdown  ③

Low Batt

Restart

TEMPCO(mV/C/Cell)

②

Batt Resistance



When the "Use Batt V" or "Use Batt %" mode is selected, the content on the "Batt Set 3" page is shown as the figure on the left.

**Three stage charging strategy for lead-acid and incompatible lithium battery.** ①

This is for professional installers, you can keep it if you do not know. ②

**Shutdown 20%:** Be valid in Off-grid mode, when battery SOC/voltage drop to this value, then the DC/AC inverter module of this inverter will be shut down and the solar power can only be used to charge the battery. ③

**Low Batt 35%:** Be valid in On-grid mode, when the "Grid charge" has been checked and the set target battery SOC/voltage on "Time of Use" page isn't less than the "Low Batt" value, the battery SOC/voltage will remain above the value of "Low Batt" .

**Restart 50%:** Be valid in Off-grid mode, after the DC/AC inverter module of this inverter is shut down, the PV power can only be used to charge the battery. When the battery SOC has returned to this "Restart" value, the DC/AC inverter module will restart to output AC power.

## Recommended battery settings

| Battery Type | Absorption Stage                  | Float Stage   | Equalization Voltage (every 30 days 3hr ) |
|--------------|-----------------------------------|---------------|---|
| AGM (or PCC) | 14.2V (57.6V)                     | 13.4V (53.6V) | 14.2V (57.6V)                             |
| Gel          | 14.1V (56.4V)                     | 13.5V (54.0V) |   |
| Wet          | 14.7V (59.0V)                     | 13.7V (55.0V) | 14.7V (59.0V)                             |
| Lithium      | Follow its BMS voltage parameters |               |   |

## 5.7 System Work Mode Setup Menu

### System Work Mode

Selling First    5000    Max Solar Power

Zero Export To Load     Solar Sell

Zero Export To CT     Solar Sell

Max Sell Power    5000    Zero-export Power    20

Energy pattern     BattFirst     LoadFirst

Grid Peak Shaving    5000    Power

↑

Work Mode1

↓

✕

✓

### Work Mode

**Selling First:** This Mode allows hybrid inverter to sell back any excess power produced by the solar panels to the grid. If time of use is active, the battery energy also can be sold into grid.

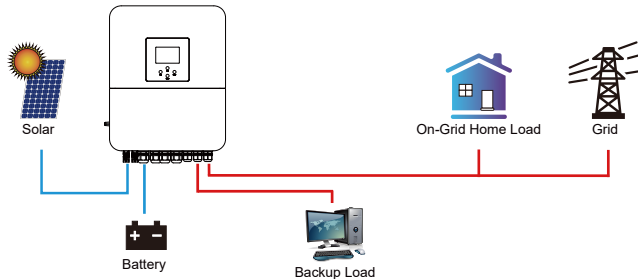
The PV energy will be used to power the load and charge the battery, then the excess PV energy will flow to grid.

Power source priority for the load is as follows:

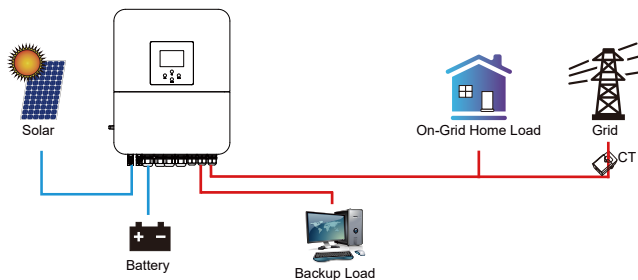
1. Solar Panels.
2. Batteries (when the actual battery SOC is higher than the target SOC).
3. Grid.

**Zero Export To Load:** Hybrid inverter will only provide power to the backup load connected. The hybrid inverter will neither provide power to the home load nor sell power to grid, if the "solar sell" behind is not enabled.

The built-in CT will detect current flowing back to the grid, if there is, the inverter will reduce the generate power to only power the backup loads, smart loads and charge the battery.



**Zero Export To CT:** Hybrid inverter will not only provide power to the backup load connected but also give power to the home load connected. If PV power and battery power is insufficient, it will take grid energy as supplement. The hybrid inverter will not sell power to grid, if the "solar sell" behind is not enabled. In this mode, an external CT or smart meter must be installed. As to the installation method of the CT or smart meter, please refer to the chapter 3.7 of this manual. The external CT or smart meter will detect the current flowing back to the grid, if there is, the inverter will reduce generate power to prevent selling power to grid.



**Solar Sell:** "Solar sell" is for Zero export to load or Zero export to CT: when this item is active, the PV energy will first power the loads or charge the battery, then the surplus PV energy can be sold back to grid.

**Max. sell power:** Maximum power allowed to flow to grid.

**Zero-export Power:** This parameter will ensure the zero-export by taking from the grid some small amount of energy that has been set with this value. It is recommended to set it as 20-100W to ensure the hybrid inverter won't feed power to grid.

**Energy Pattern:** Priority of PV power usage. When "Grid charge" is enabled, the default energy pattern is "Load First", this setting will be invalid.

**Batt First:** PV power is firstly used to charge the battery and then used to power the load. If PV power is insufficient, grid will make supplement for battery and load simultaneously.

**Load First:** PV power is firstly used to power the load and then used to charge the battery. If PV power is insufficient, grid will make supplement for battery and load simultaneously.

**Max Solar Power:** The maximum DC input power allowed.

**Grid Peak-shaving:** When it is active, grid output power will be limited within the set value. If the grid peak-shaving power plus PV power plus battery power cannot meet the power consumption of the load, the grid peak-shaving will be invalid, and the power taken from the grid can exceed this set value.

### System Work Mode

| Grid Charge                         | Gen                      | Time  | Time  | Power | Batt  |
|-------------------------------------|--------------------------|-------|-------|-------|-------|
| <input type="checkbox"/>            | <input type="checkbox"/> | 01:00 | 5:00  | 5000  | 49.0V |
| <input type="checkbox"/>            | <input type="checkbox"/> | 05:00 | 9:00  | 5000  | 50.2V |
| <input checked="" type="checkbox"/> | <input type="checkbox"/> | 09:00 | 13:00 | 5000  | 50.9V |
| <input checked="" type="checkbox"/> | <input type="checkbox"/> | 13:00 | 17:00 | 5000  | 51.4V |
| <input checked="" type="checkbox"/> | <input type="checkbox"/> | 17:00 | 21:00 | 5000  | 47.1V |
| <input checked="" type="checkbox"/> | <input type="checkbox"/> | 21:00 | 01:00 | 5000  | 49.0V |

**Time of use:** it is used to program when to use grid or generator to charge the battery, and when to discharge the battery to power the load. Only tick "Time Of Use" then the follow items (Grid, charge, time, power etc.) will take effect.

**Note:** when in selling first mode and click time of use, the battery power can be sold into grid.

**Grid charge:** utilize grid to charge the battery in a time period.

**Gen charge:** utilize diesel generator to charge the battery in a time period.

**Time:** real time, range of 01:00-24:00.

**Power:** Max. discharge power of battery allowed.

**Batt(V or SOC %):** The target value of battery voltage or SOC during the current time period. If the actual SOC or voltage of the battery is lower than this target value, the battery needs to be charged. If there is a energy source like solar power or grid, the battery will be charged; If the actual SOC or voltage of the battery is higher than this target value, the battery can discharge, and when the solar power is not enough to power the load or the "Selling First" is enabled, the battery will discharge.

### System Work Mode

| Grid Charge                         | Gen                      | Time  | Time  | Power | Batt |
|-------------------------------------|--------------------------|-------|-------|-------|------|
| <input checked="" type="checkbox"/> | <input type="checkbox"/> | 00:00 | 5:00  | 5000  | 80%  |
| <input type="checkbox"/>            | <input type="checkbox"/> | 05:00 | 8:00  | 5000  | 40%  |
| <input type="checkbox"/>            | <input type="checkbox"/> | 08:00 | 10:00 | 5000  | 40%  |
| <input type="checkbox"/>            | <input type="checkbox"/> | 10:00 | 15:00 | 5000  | 80%  |
| <input type="checkbox"/>            | <input type="checkbox"/> | 15:00 | 18:00 | 5000  | 40%  |
| <input type="checkbox"/>            | <input type="checkbox"/> | 18:00 | 00:00 | 5000  | 35%  |

Assuming that at the end of the previous time period, the actual battery level reaches or approaches the target value of the previous time period.

#### For example

**During 00:00-05:00,** if battery SOC is lower than 80%, it will use grid to charge the battery until battery SOC reaches 80%.

**During 05:00-08:00,** if battery SOC is higher than 40%, hybrid inverter will discharge the battery until the SOC reaches 40%. At the same time, if battery SOC is lower than 40%, then grid will charge the battery SOC to 40%.

**During 08:00-10:00,** if battery SOC is higher than 40%, hybrid inverter will discharge the battery until the SOC reaches 40%.

**During 10:00-15:00,** if battery SOC is lower than 80%, hybrid inverter will charge the battery until the SOC reaches 80%. If the PV power is sufficient, the battery can be charged to 100%.

**During 15:00-18:00,** when battery SOC is higher than 40%, hybrid inverter will discharge the battery until the SOC reaches 40%.

**During 18:00-00:00,** when battery SOC is higher than 35%, hybrid inverter will discharge the battery until the SOC reaches 35%.

### System Work Mode

| Mon                                 | Tue                                 | Wed                                 | Thu                                 | Fri                                 | Sat                                 | Sun                      |
|-------------------------------------|-------------------------------------|-------------------------------------|-------------------------------------|-------------------------------------|-------------------------------------|--------------------------|
| <input checked="" type="checkbox"/> | <input checked="" type="checkbox"/> | <input checked="" type="checkbox"/> | <input checked="" type="checkbox"/> | <input checked="" type="checkbox"/> | <input checked="" type="checkbox"/> | <input type="checkbox"/> |

It allows users to choose which day to execute the setting of "Time of Use".

For example, the inverter will execute the time of use page on Mon/Tue/Wed/Thu/Fri/Sat only.

## 5.8 Grid Setup Menu

### Grid Setting

Unlock Grid Setting

Grid Mode: General Standard 0/16

Grid Frequency:  50Hz  60Hz

INV Output Voltage: 240V  
220V  
230V  
200V

Grid Type:  Single Phase  
 120/240V Split Phase  
 120/208V 3 Phase

↑ Grid Set1

↓

✕

✓

**Unlock Grid Setting:** before changing the grid parameters, please enable this with password of 7777. Then it is allowed to change the grid parameters.

**Grid Mode:** General Standard、UL1741 & IEEE1547、CPUC RULE21、SRD-UL-1741、CEI 0-21、EN50549\_CZ、Australia\_A、Australia\_B、Australia\_C、NewZealand、VDE4105、OVE\_Directive\_R25、EN50549\_CZ\_PPDS\_L16A、NRS097、G98/G99、G98/G99\_NI、ESB Networks(Ireland). Please follow the local grid code and then choose the corresponding grid standard.

### Grid Setting/Connect

Normal connect: Normal Ramp rate: 60s

Low frequency: 48.00Hz High frequency: 51.50Hz

Low voltage: 185.0V High voltage: 265.0V

---

Reconnect after trip: Reconnect Ramp rate: 60s

Low frequency: 48.20Hz High frequency: 51.30Hz

Low voltage: 187.0V High voltage: 263.0V

---

Reconnection Time: 60s PF: 1.000

↑ Grid Set2

↓

✕

✓

**Normal connect:** The allowed grid voltage/frequency range when the inverter operates normally.

**Normal Ramp rate:** It is the startup power ramp.

**Reconnect after trip:** The allowed grid voltage/frequency range when the inverter reconnects to the grid after tripping from grid.

**Reconnect Ramp rate:** It is the reconnection power ramp.

**Reconnection time:** The waiting time for the inverter reconnects to the grid when the grid voltage/frequency return to the allowed range after tripping.

**PF:** Power factor which is used to adjust inverter reactive power.

### Grid Setting/IP Protection

Over voltage U>(10 min. running mean): 260.0V

|  |   |
|--|---|
| HV3: <span style="border: 1px solid black; padding: 2px;">265.0V</span>  | HF3: <span style="border: 1px solid black; padding: 2px;">51.50Hz</span>  |
| HV2: <span style="border: 1px solid black; padding: 2px;">265.0V</span> -- <span style="border: 1px solid black; padding: 2px;">0.10s</span> | HF2: <span style="border: 1px solid black; padding: 2px;">51.50Hz</span> -- <span style="border: 1px solid black; padding: 2px;">0.10s</span> |
| HV1: <span style="border: 1px solid black; padding: 2px;">265.0V</span> -- <span style="border: 1px solid black; padding: 2px;">0.10s</span> | HF1: <span style="border: 1px solid black; padding: 2px;">51.50Hz</span> -- <span style="border: 1px solid black; padding: 2px;">0.10s</span> |
| LV1: <span style="border: 1px solid black; padding: 2px;">185.0V</span> -- <span style="border: 1px solid black; padding: 2px;">0.10s</span> | LF1: <span style="border: 1px solid black; padding: 2px;">48.00Hz</span> -- <span style="border: 1px solid black; padding: 2px;">0.10s</span> |
| LV2: <span style="border: 1px solid black; padding: 2px;">185.0V</span> -- <span style="border: 1px solid black; padding: 2px;">0.10s</span> | LF2: <span style="border: 1px solid black; padding: 2px;">48.00Hz</span> -- <span style="border: 1px solid black; padding: 2px;">0.10s</span> |
| LV3: <span style="border: 1px solid black; padding: 2px;">185.0V</span>  | LF3: <span style="border: 1px solid black; padding: 2px;">48.00Hz</span>  |

↑ Grid Set3

↓

✕

✓

**HV1:** Level 1 overvoltage protection point;  
**HV2:** Level 2 overvoltage protection point; ② 0.10s—Trip time.  
**HV3:** Level 3 overvoltage protection point.

**LV1:** Level 1 undervoltage protection point;  
**LV2:** Level 2 undervoltage protection point;  
**LV3:** Level 3 undervoltage protection point.

**HF1:** Level 1 over frequency protection point;  
**HF2:** Level 2 over frequency protection point;  
**HF3:** Level 3 over frequency protection point.

**LF1:** Level 1 under frequency protection point;  
**LF2:** Level 2 under frequency protection point;  
**LF3:** Level 3 under frequency protection point.

### Grid Setting/F(W)

F(W)

Over frequency: Droop f: 40%PE/Hz

Start freq f: 50.20Hz Stop freq f: 50.20Hz

Start delay f: 0.00s Stop delay f: 0.00s

---

Under frequency: Droop f: 40%PE/Hz

Start freq f: 49.80Hz Stop freq f: 49.80Hz

Start delay f: 0.00s Stop delay f: 0.00s

↑ Grid Set4

↓

✕

✓

**F(W):** It's used to adjust the output active power of inverter according to the frequency of grid.

**Droop f:** percentage of nominal power per Hz

For example, "Start freq F=50.2Hz, Stop freq F=51.5, Droop F=40%PE/Hz" when the grid frequency reaches 51.2Hz, the inverter will decrease its active power at rate of 40% per Hz. Then when frequency of grid is less than 50.2Hz, the inverter will stop decreasing output power.

For the detailed setup values, please follow the local grid code.

### Grid Setting/V(W) V(Q)

| V(W) |        | V(Q) |      |
|------|--------|------|------|
| V1   | 109.0% | P1   | 100% |
| V2   | 110.0% | P2   | 20%  |
| V3   | 111.0% | P3   | 20%  |
| V4   | 111.0% | P4   | 20%  |

| Lock-in/Pn | Lock-out/Pn |
|------------|-------------|
| 5%         | 20%         |
| V1         | 90.0%       |
| Q1         | 44%         |
| V2         | 95.7%       |
| Q2         | 0%          |
| V3         | 104.3%      |
| Q3         | 0%          |
| V4         | 112.2%      |
| Q4         | -60%        |

**V(W)**: It is used to adjust the inverter's active power according to the set grid voltage.  
**V(Q)**: It is used to adjust the inverter's reactive power according to the set grid voltage.  
 These two functions are used to adjust inverter's output power (active power and reactive power) when grid voltage changes.

**Lock-in/Pn 5%**: When the inverter active power is less than 5% rated power, the VQ mode will not take effect.  
**Lock-out/Pn 20%**: If the inverter active power is increasing from 5% to 20% rated power, the VQ mode will take effect again.

For example: V2=110%, P2=20%. When the grid voltage reaches the 110% times of rated grid voltage, inverter output power will reduce its active output power to 20% rated power.

For example: V1=90%, Q1=44%. When the grid voltage reaches the 90% times of rated grid voltage, inverter output power will output 44% reactive output power.

For the detailed setup values, please follow the local grid code.

### Grid Setting/P(Q) P(F)

| P(Q) |    | P(PF) |    |
|------|----|-------|----|
| P1   | 0% | Q1    | 0% |
| P2   | 0% | Q2    | 0% |
| P3   | 0% | Q3    | 0% |
| P4   | 0% | Q4    | 0% |

| Lock-in/Pn | Lock-out/Pn |
|------------|-------------|
| 50%        | 50%         |
| P1         | 0%          |
| PF1        | -2.400      |
| P2         | 0%          |
| PF2        | 0.000       |
| P3         | 0%          |
| PF3        | 0.000       |
| P4         | 0%          |
| PF4        | 6.000       |

**P(Q)**: It is used to adjust the inverter's reactive power according to the set active power.

**P(PF)**: It is used to adjust the inverter's PF according to the set active power.  
 For the detailed setup values, please follow the local grid code.

**Lock-in/Pn 50%**: When the inverter output active power is less than 50% rated power, it won't enter the P(PF) mode.

**Lock-out/Pn 50%**: When the inverter output active power is higher than 50% rated power, it will enter the P(PF) mode.

Note : only when the grid voltage is equal to or higher than 1.05 times of rated grid voltage, then the P(PF) mode will take effect.

### Grid Setting/LVRT

| L/HVR |      |
|-------|------|
| HV1   | 115% |
| LV1   | 50%  |

**Reserved**: This function is reserved. It is not recommended.

## 5.9 The method of CEI-021 Standard Self-Check

### Grid Setting

Unlock Grid Setting

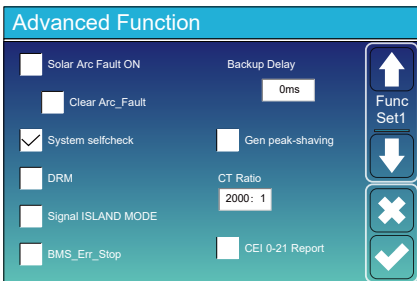
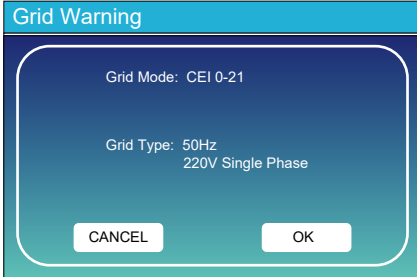
Grid Mode:  4/16

Grid Frequency:  50HZ  60HZ

INV Output Voltage:  220V 230V 200V

Grid Type:  Single Phase  120/240V Split Phase  120/208V 3 Phase

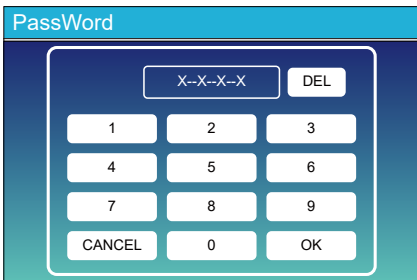
Firstly, tick the "CEI-021" and "Single phase/50Hz" on the grid setting menu.



Secondly, tick “System selfchek” , then it will ask you input the password, and the default password is 1234.

**Note: please don’t tick “CEI-021 Report” .**

This “System selfcheck” program is valid only after choosing grid type as "CEI-021".



The default password is 1234  
After input the password and then tick "OK"

| Inverter ID : 2012041234 |                |
|--------------------------|----------------|
| <b>Self-Test OK 8/8</b>  |                |
| Testing 59.S1...         | Test 59.S1 OK! |
| Testing 59.S2...         | Test 59.S2 OK! |
| Testing 27.S1...         | Test 27.S1 OK! |
| Testing 27.S2...         | Test 27.S2 OK! |
| Testing 81>S1...         | Test 81>S1 OK! |
| Testing 81>S2...         | Test 81>S2 OK! |
| Testing 81<S1...         | Test 81<S1 OK! |
| Testing 81<S2...         | Test 81<S2 OK! |

During the self-test process, all the indicators will be on and the alarm keeps on.

When all the test items shows OK, which means the self-test is completed successfully.

## Advanced Function

Solar Arc Fault ON      Backup Delay  
 Clear Arc\_Fault      0ms

System selfcheck       Gen peak-shaving

DRM      CT Ratio  
 Signal ISLAND MODE      2000: 1

BMS\_Err\_Stop       CEI 0-21 Report

Func Set1

then press “esc” button to quit from this page.  
Tick “system selfcheck” on the Advanced function menu and tick “CEI-021 Report”.

## PassWord

X-X-X-X      DEL

1      2      3

4      5      6

7      8      9

CANCEL      0      OK

System selfcheck: After ticking this item, it needs input the password.  
The default password is 1234.  
After input the password and then tick "OK"

## Inverter ID : 2012041234

### Self-Test Report

|                  |        |        |                |        |
|------------------|--------|--------|----------------|--------|
| 59.S1 threshold  | 253V   | 900ms  | 59.S1: 228V    | 902ms  |
| 59.S2 threshold  | 264.5V | 200ms  | 59.S2: 229V    | 204ms  |
| 27.S1 threshold  | 195.5V | 1500ms | 27.S1: 228V    | 1508ms |
| 27.S2 threshold  | 34.5V  | 200ms  | 27.S2: 227V    | 205ms  |
| 81>.S1 threshold | 50.2Hz | 100ms  | 81>.S1: 49.9Hz | 103ms  |
| 81>.S2 threshold | 51.5Hz | 100ms  | 81>.S2: 49.9Hz | 107ms  |
| 81<.S1 threshold | 49.8Hz | 100ms  | 81<.S1: 50.0Hz | 95ms   |
| 81<.S2 threshold | 47.5Hz | 100ms  | 81<.S2: 50.1Hz | 97ms   |

This page will shows the test result of "CEI-021 self-check".

## 5.10 Generator Port Use Setup Menu

### GEN PORT USE

Mode       AC couple on grid side  
 Generator Input       AC couple on load side  
 Rated Power      8000W       GEN connect to Grid input

SmartLoad Output       On Grid always on  
 Power      500W       off grid immediately off

Micro Inv Input      AC Couple Freq High  
 ON      100% OFF      95%      52.00Hz

PORT Set1

**Generator input rated power:** allowed Max. power from diesel generator.  
**GEN connect to grid input:** connect the diesel generator to the grid input port.  
**Smart Load Output:** Use the GEN port as an AC output port, and the load connected to this port can be controlled on/off by the hybrid inverter.  
**e.g. Power=500W, ON: 100%, OFF=95%:** When the PV power exceeds 500W, and battery bank SOC reaches 100%, Smart Load Port will switch on automatically and power the load connected. When the battery bank SOC < 95% or PV power < 500w, the Smart Load Port will switch off automatically.

### Smart Load OFF Batt

- Battery SOC at which the Smart load will switch off.

### Smart Load ON Batt

- Battery SOC at which the Smart load will switch on. Besides, the PV input power should exceed the setting value (Power) simultaneously and then the Smart load will switch on.

**On Grid always on:** When click "on Grid always on" the smart load will switch on when the grid is present.

**off grid immediately off:** The smart load will stop working immediately when the grid is disconnected if this item is active.

**Micro Inv Input:** To use the Generator input port as a AC input port of micro-inverter or other on-grid inverter.

\* **Micro Inv Input OFF:** When the battery SOC or voltage rise to this set value and the hybrid inverter is operating in off-grid mode, the frequency of GEN port of hybrid inverter will be raised to 'AC Couple Frz High' to make the Grid-tied inverter trip. It's invalid in on-grid mode.

\* **Micro Inv Input ON:** When the battery SOC or voltage drops below this set value, the relay on GEN port of hybrid inverter will be closed, then the Grid-Tied inverter will generate power and feed into hybrid inverter.

**AC Couple Fre High:** If choosing "Micro Inv input", as the battery SOC reaches gradually setting value (OFF), During the process, the microinverter output power will decrease linear. When the battery SOC equals to the setting value (OFF), the system frequency will become the setting value (AC couple Fre high) and the microinverter or on-grid inverter will trip from hybrid inverter.

\* **Note:** Micro Inv Input OFF and On is valid for some certain FW version only.

\* **AC couple on load side:** Connecting the output of on-grid inverter at the load port of the hybrid inverter. In this situation, the hybrid inverter will not able to show the load power correctly.

\* **AC couple on grid side:** Connecting the output of on-grid inverter at the grid port of the hybrid inverter.

\* **Note:** Some firmware versions don't have this function.

## 5.11 Advanced Function Setup Menu

### Advanced Function

Solar Arc Fault ON(Optional)      Backup Delay

Clear Arc\_Fault(Optional)      0ms

System selfcheck       Gen peak-shaving

DRM      CT Ratio

Signal ISLAND MODE      2000: 1

BMS\_Err\_Stop       CEI 0-21 Report

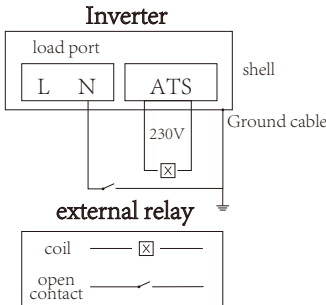
↑

Func Set1

↓

✕

✓



**Solar Arc Fault ON(Optional):** This feature is optional. After enabling this function, the inverter will detect whether there is a arcing fault on the PV side. If arcing occurs, the inverter will report a fault and stop outputting power.

**Clear Arc\_Fault(Optional):** After the arc fault on the PV side is eliminated, enabling this function can eliminate the arc fault alarm of the inverter and restore normal operation of the inverter.

**System selfcheck:** Disable. this is only for factory.

**Gen Peak-shaving:** Limit the maximum output power of the generator to the set rated power on "GEN PORT USE" page, the rest of power consumption will be provided by PV and battery to ensure that the generator will not overload.

**DRM:** Demand response mode, receive external commands for scheduling active power and reactive power.

**Backup Delay:** When the grid cuts off, the inverter will output power after this set time.

For example, backup delay: 3ms. the inverter will give output power after 3ms when the grid cuts off.

Note: for some old FW version, the function is not available.

**BMS\_Err\_Stop:** When it is active, if the battery BMS failed to communicate with inverter, the inverter will stop working and report fault.

**Signal ISLAND MODE:** When "signal island mode" is checked and the inverter connects the grid, the ATS port voltage will be 0. When "signal island mode" is checked and the inverter disconnected from the grid, the ATS port voltage will output 230Vac voltage. With this feature and external NO type relay, it can realize N and PE disconnection or bond.

More details, please refer to left side picture.

### Advanced Function

DC 1 for WindTurbine       DC 2 for WindTurbine

|    |      |      |     |      |       |
|----|------|------|-----|------|-------|
| V1 | 90V  | 0.0A | V7  | 210V | 9.0A  |
| V2 | 110V | 1.5A | V8  | 230V | 10.5A |
| V3 | 130V | 3.0A | V9  | 250V | 12.0A |
| V4 | 150V | 4.5A | V10 | 270V | 13.5A |
| V5 | 170V | 6.0A | V11 | 290V | 15.0A |
| V6 | 190V | 7.5A | V12 | 310V | 16.5A |

↑

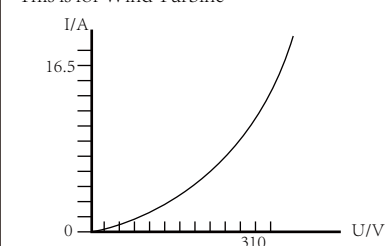
Wind Set2

↓

✕

✓

This is for Wind Turbine



## Advanced Function

|  |                      |                               |                     |
|--|----------------------|-------------------------------|---------------------|
| <input type="radio"/> Parallel           | Modbus SN            | <input type="radio"/> A Phase | ↑<br>Paral.<br>Set3 |
| <input type="radio"/> Master             | 00                   | <input type="radio"/> B Phase |                     |
| <input type="radio"/> Slave              |                      | <input type="radio"/> C Phase |                     |
| <input type="checkbox"/> Ex_Meter For CT | Meter Select         |                               | ↓                   |
| <input type="checkbox"/> A Phase         | CHNT-3P              | 0/4                           | ✕                   |
| <input type="checkbox"/> B Phase         | CHNT-1P              |                               |                     |
| <input type="checkbox"/> C Phase         | Easton-3P            |                               |                     |
|  | Easton-1P            |                               |                     |
|  | Grid Side INV Meter2 |                               | ✓                   |

**Parallel:** Enable this function when several same model hybrid inverters are connecting in parallel.

**Master:** Select any hybrid inverter in the parallel system as the master inverter, and the master inverter needs to manage the working mode of the parallel system.

**Slave:** Set the other inverters managed by the master inverter as slave inverter.

**Modbus SN:** The Modbus address of each inverter, should be different

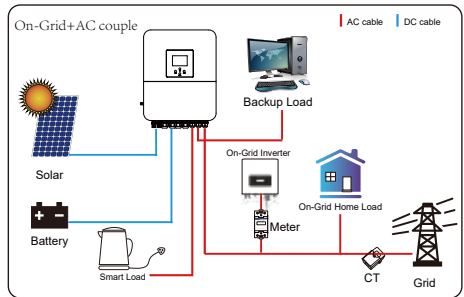
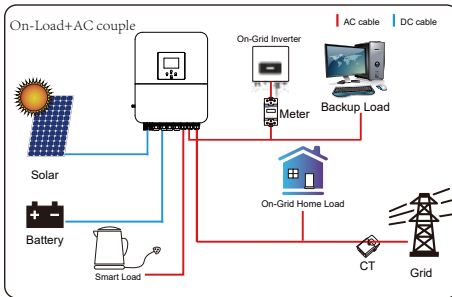
**A/B/C Phase:** When forming a 3-phase system in parallel, it is necessary to set which phase of the three-phase system this inverter belongs to.

**Ex\_Meter For CT:** Check this function when using "Zero export to CT" mode and use external smart meter replace the CTs.

**A/B/C Phase:** When this inverter is installed in three phase grid and measured by three phase smart meter, click corresponding phase which this hybrid inverter is connected. For example, when the hybrid inverter connects to A phase of grid, please click A Phase here.

**Meter Select:** select the corresponding meter type according to the meter installed in the system.

**Grid Side INV Meter2:** When there's a on-grid inverter AC couple at the grid or load side of hybrid inverter and there's a meter installed for the on-grid inverter, then the hybrid inverter LCD will show the on-grid inverter output power on its PV icon. Please make sure the meter can communicate with the hybrid inverter successfully.



## Advanced Function

|  |                      |                   |
|--|----------------------|-------------------|
| <input type="checkbox"/> ATS                       | ON                   | ↑<br>Func<br>Set4 |
| 8820W  | 8320W                |                   |
| Export power limiter                               | Import power limiter | ↓                 |
| <input type="checkbox"/> Low Noise Mode            |                      | ✕                 |
| <input type="checkbox"/> Low Power Mode<Low Batt   |                      |                   |
| <input type="checkbox"/> MPPT Multi-Point Scanning |                      | ✓                 |

**ATS:** It is related to the output voltage of the ATS port, and it is recommended to leave it unselected.

**Export power limiter:** It is used to setup the maximum output power allowed to flow to grid.

**Import power limiter:** when it is active, the import power from grid will be limited. its priority is lower than "grid peak shaving" if the "grid peak shaving" is selected.

**Low Noise Mode:** In this mode, the sound emitted by the inverter during operation will be smaller.

**Low Power Mode<Low Batt:** When it's selected and battery SOC is less than "Low Bat" value, the self-consumption power of inverter will supply by grid and battery simultaneously. If unselected, the self-consumption power of inverter will supply by battery.

**MPPT Multi-Point Scanning:** The inverter will check whether the PV is working on its Max. power point. If not, then it will adjust the voltage of MPPT to ensure the PV operates at the Max.power point.

## 5.12 Device Info Setup Menu

| Device Info.                |                            | Device Info<br><br><br> |
|-----------------------------|----------------------------|-------------------------|
| Inverter ID: 1601012001     | Flash MAIN:Ver 0-5213-0717 |                         |
| HMI: Ver0302                |                            |                         |
| Alarms Code                 | Occurred                   |                         |
| F64 Heatsink_HighTemp_Fault | 2019-03-11 15:56           |                         |
| F64 Heatsink_HighTemp_Fault | 2019-03-08 10:46           |                         |
| F64 Heatsink_HighTemp_Fault | 2019-03-08 10:45           |                         |

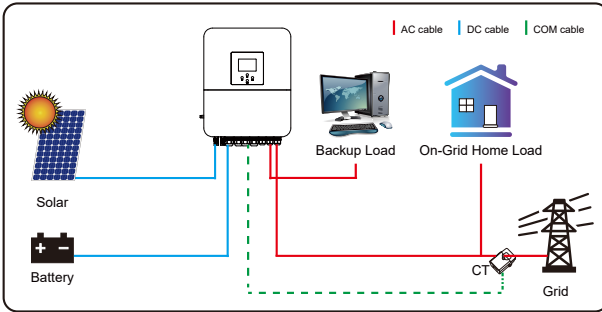
This page show Inverter ID, Inverter version and alarm codes.

**HMI:** LCD version

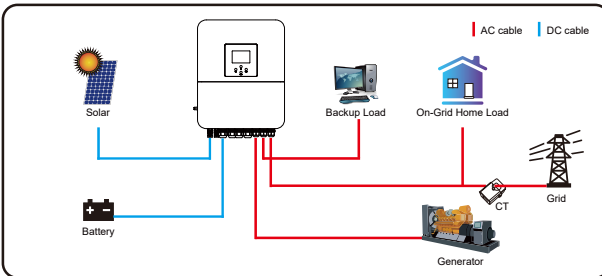
**MAIN:** Control board FW version

## 6. Mode

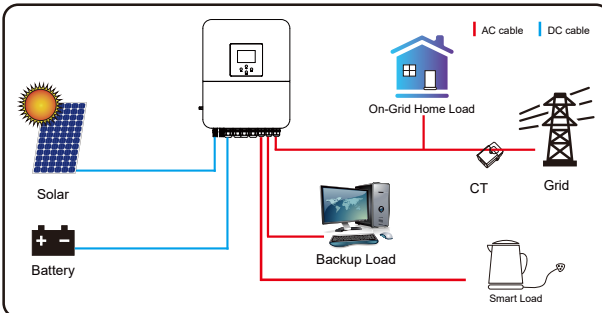
### Mode I: Basic



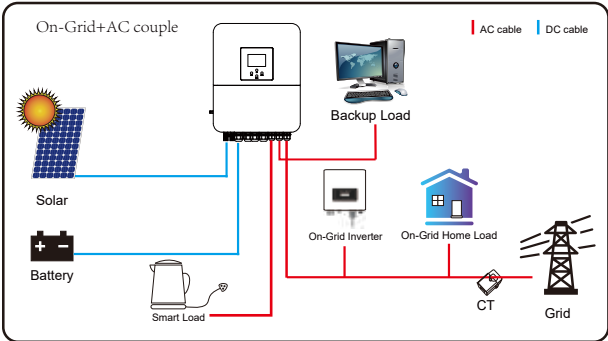
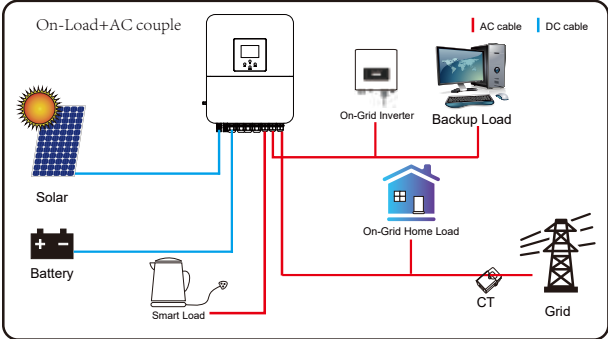
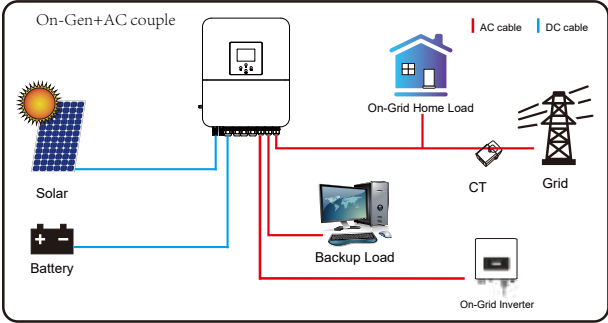
### Mode II: With Generator



### Mode III: With Smart-Load



# Mode IV: AC Couple



The 1st priority power of the system is always the PV power, then 2nd and 3rd priority power will be the battery bank or grid according to the settings. The last power backup will be the Generator if it is available.

## 7. Fault information and processing

The energy storage inverter is designed according to the grid-connected operation standard and meets the safety requirements and electromagnetic compatibility requirements. Before leaving the factory, the inverter undergoes several rigorous tests to ensure that the inverter can operate reliably.



If any of the fault messages listed in Table 7-1 appear on your inverter and the fault has not been removed after restarting, please contact your local dealer or service center. You need to have the following information ready.

1. Inverter serial number;
2. Distributor or service center of the inverter ;
3. On-grid power generation date;
4. The problem description (including the fault code and indicator status displayed on the LCD) is as detailed as possible.
5. Your contact information. In order to give you a clearer understanding of the inverter's fault information, we will list all possible fault codes and their descriptions when the inverter is not working properly.

| <b>Error code</b> | <b>Description</b>                           | <b>Solutions</b>  |
|-------------------|--|---|
| F08               | GFDI _Relay_Failure                          | <ol style="list-style-type: none"> <li>1. When inverter is in Split phase(120/240Vac) or three-phase system (120/208Vac) system, the backup load port N line needs to connect ground;</li> <li>2. If the fault still exists, please contact us for help.</li> </ol>   |
| F13               | Working mode change                          | <ol style="list-style-type: none"> <li>1. When the grid type and frequency changed it will report F13;</li> <li>2. When the battery mode was changed to "No battery" mode, it will report F13;</li> <li>3. For some old FW version, it will report F13 when the system work mode changed;</li> <li>4. Generally, it will disappear automatically when shows F13;</li> <li>5. If still same, and turn off the DC switch and AC switch and wait for one minute and then turn on the DC/AC switch;</li> <li>6. Seek help from us, if can not go back to normal state.</li> </ol> |
| F18               | AC over current fault of hardware            | <p>AC side over current fault</p> <ol style="list-style-type: none"> <li>1. Please check whether the backup load power and common load power are within the range;</li> <li>2. Restart and check whether it is in normal;</li> <li>3. Seek help from us, if can not go back to normal state.</li> </ol>   |
| F20               | DC over current fault of the hardware        | <p>DC side over current fault</p> <ol style="list-style-type: none"> <li>1. Check PV module connect and battery connect;</li> <li>2. When in the off-grid mode, the inverter startup with big power load, it may report F20. Please reduce the load power connected;</li> <li>3. Turn off the DC switch and AC switch and then wait one minute, then turn on the DC/AC switch again;</li> <li>4. Seek help from us, if can not go back to normal state.</li> </ol>  |
| F22               | Tz_EmergStop_Fault                           | Please contact your installer for help.   |
| F23               | AC leakage current is transient over current | <p>Leakage current fault</p> <ol style="list-style-type: none"> <li>1. Check PV side cable ground connection.</li> <li>2. Restart the system 2~3 times.</li> <li>3. If the fault still exists, please contact us for help.</li> </ol>   |

| <b>Error code</b> | <b>Description</b>              | <b>Solutions</b>  |
|-------------------|---------------------------------|---|
| F24               | DC insulation impedance failure | PV isolation resistance is too low<br>1. Check the connection of PV panels and inverter is firmly and correctly;<br>2. Check whether the PE cable of inverter is connected to ground;<br>3. Seek help from us, if can not go back to normal state.  |
| F26               | The DC busbar is unbalanced     | 1. Please wait for a while and check whether it is normal;<br>2. When the hybrid in split phase mode, and the load of L1 and load of L2 is big different, it will report the F26.<br>3. Restart the system 2~3 times.<br>4. Seek help from us, if can not go back to normal state.  |
| F29               | Parallel CANBus fault           | 1. When in parallel mode, check the parallel communication cable connection and hybrid inverter communication address setting;<br>2. During the parallel system startup period, inverters will report F29. when all inverters are in ON status, it will disappear automatically;<br>3. If the fault still exists, please contact us for help. |
| F34               | AC Overcurrent fault            | 1. Check the backup load connected, make sure it is in allowed power range;<br>2. If the fault still exists, please contact us for help.  |
| F35               | No AC grid                      | No Utility<br>1. Please confirm grid is lost or not;<br>2. Check the grid connection is good or not;<br>3. Check the switch between inverter and grid is on or not;<br>4. Seek help from us, if can not go back to normal state.  |
| F41               | Parallel system stop            | 1. Check the hybrid inverter working status. If there's 1 pcs hybrid inverter is in OFF status, the other hybrid inverters may report F41 fault in parallel system.<br>2. If the fault still exists, please contact us for help.  |
| F42               | AC line low voltage             | Grid voltage fault<br>1. Check the AC voltage is in the range of standard voltage in specification;<br>2. Check whether grid AC cables are firmly and correctly connected;<br>3. Seek help from us, if can not go back to normal state.   |
| F47               | AC over frequency               | Grid frequency out of range<br>1. Check the frequency is in the range of specification or not;<br>2. Check whether AC cables are firmly and correctly connected;<br>3. Seek help from us, if can not go back to normal state.   |
| F48               | AC lower frequency              | Grid frequency out of range<br>1. Check the frequency is in the range of specification or not;<br>2. Check whether AC cables are firmly and correctly connected;<br>3. Seek help from us, if can not go back to normal state.   |
| F56               | DC busbar voltage is too low    | Battery voltage low<br>1. Check whether battery voltage is too low;<br>2. If the battery voltage is too low, using PV or grid to charge the battery;<br>3. Seek help from us, if can not go back to normal state.   |

| <b>Error code</b> | <b>Description</b>                 | <b>Solutions</b>   |
|-------------------|------------------------------------|--|
| F58               | BMS communication fault            | <ol style="list-style-type: none"> <li>1. it tells the communication between hybrid inverter and battery BMS disconnected when "BMS_Err-Stop" is active;</li> <li>2. if don't want to see this happen, you can disable "BMS_Err-Stop" item on the LCD;</li> <li>3. If the fault still exists, please contact us for help.</li> </ol> |
| F63               | ARC fault                          | <ol style="list-style-type: none"> <li>1. ARC fault detection is only for US market;</li> <li>2. Check PV module cable connection and clear the fault;</li> <li>3. Seek help from us, if can not go back to normal state.</li> </ol>   |
| F64               | Heat sink high temperature failure | <p>Heat sink temperature is too high</p> <ol style="list-style-type: none"> <li>1. Check whether the work environment temperature is too high;</li> <li>2. Turn off the inverter for 10mins and restart;</li> <li>3. Seek help from us, if can not go back to normal state.</li> </ol>   |

Chart 7-1 Fault information

Under the guidance of our company, customers return our products so that our company can provide service of maintenance or replacement of products of the same value. Customers need to pay the necessary freight and other related costs. Any replacement or repair of the product will cover the remaining warranty period of the product. If any part of the product or product is replaced by the company itself during the warranty period, all rights and interests of the replacement product or component belong to the company.

Factory warranty does not include damage due to the following reasons:

- Damage during transportation of equipment ;
- Damage caused by incorrect installation or commissioning ;
- Damage caused by failure to comply with operation instructions, installation instructions or maintenance instructions ;
- Damage caused by attempts to modify, alter or repair products ;
- Damage caused by incorrect use or operation ;
- Damage caused by insufficient ventilation of equipment ;
- Damage caused by failure to comply with applicable safety standards or regulations ;
- Damage caused by natural disasters or force majeure (e.g. floods, lightning, overvoltage, storms, fires, etc.)

In addition, normal wear or any other failure will not affect the basic operation of the product. Any external scratches, stains or natural mechanical wear does not represent a defect in the product.

## 8.Limitation of Liability

In addition to the product warranty described above, the state and local laws and regulations provide financial compensation for the product's power connection (including violation of implied terms and warranties). The company hereby declares that the terms and conditions of the product and the policy cannot and can only legally exclude all liability within a limited scope.

## 9. Datasheet

| Model  | SUN-3K-SG04LP1-24-EU-SM1      | SUN-3K-SG04LP1-EU-SM1 | SUN-3.6K-SG04LP1-EU-SM2 | SUN-5K-SG04LP1-EU-SM2 | SUN-6K-SG04LP1-EU-SM2 |
|--|-------------------------------|-----------------------|-------------------------|-----------------------|-----------------------|
| <b>Battery Input Data</b>                        |                               |                       |                         |                       |                       |
| Battery Type                                     | Lead-acid or Lithium-ion      |                       |                         |                       |                       |
| Battery Voltage Range(V)                         | 20-30                         | 40-60                 |                         |                       |                       |
| Max. Charging Current(A)                         | 140                           | 70                    | 90                      | 120                   | 135                   |
| Max. Discharging Current(A)                      | 140                           | 70                    | 90                      | 120                   | 135                   |
| Charging Strategy for Li-Ion Battery             | Self-adaption to BMS          |                       |                         |                       |                       |
| Number of Battery Input                          | 1                             |                       |                         |                       |                       |
| <b>PV String Input Data</b>                      |                               |                       |                         |                       |                       |
| Max. PV access power(W)                          | 6000                          | 6000                  | 7200                    | 10000                 | 12000                 |
| Max. PV Input Power(W)                           | 4800                          | 4800                  | 5760                    | 8000                  | 9600                  |
| Max. PV Input Voltage(V)                         | 500                           |                       |                         |                       |                       |
| Start-up Voltage(V)                              | 125                           |                       |                         |                       |                       |
| PV Input Voltage Range(V)                        | 125-500                       |                       |                         |                       |                       |
| MPPT Voltage Range(V)                            | 150-425                       |                       |                         |                       |                       |
| Full Load MPPT Voltage Range(V)                  | 300-425                       |                       |                         |                       |                       |
| Rated PV Input Voltage(V)                        | 370                           |                       |                         |                       |                       |
| Max. Operating PV Input Current(A)               | 18                            |                       |                         |                       | 18+18                 |
| Max. Input Short-Circuit Current(A)              | 27                            |                       |                         |                       | 27+27                 |
| No. of MPP Trackers/No. of Strings MPP Tracker   | 1/1                           |                       |                         |                       | 2/1+1                 |
| Max. Inverter Backfeed Current to The Array      | 0                             |                       |                         |                       |                       |
| <b>AC Input/Output Data</b>                      |                               |                       |                         |                       |                       |
| Rated AC Input/Output Active Power(W)            | 3000                          | 3000                  | 3600                    | 5000                  | 6000                  |
| Max. AC Input/Output Apparent Power(VA)          | 3300                          | 3300                  | 3960                    | 5500                  | 6600                  |
| Peak Power (off-grid)(W)                         | 2 times of rated power, 10s   |                       |                         |                       |                       |
| Rated AC Input/Output Current(A)                 | 13.7/13.1                     | 13.7/13.1             | 16.4/15.7               | 22.8/21.8             | 27.3/26.1             |
| Max. AC Input/Output Current(A)                  | 15/14.4                       | 15/14.4               | 18/17.3                 | 25/24                 | 30/28.7               |
| Max. Continuous AC Passthrough [grid to load](A) | 35                            |                       |                         |                       | 40                    |
| Max. Output Fault Current(A)                     | 30                            | 30                    | 36                      | 50                    | 60                    |
| Max. Output Overcurrent Protection(A)            | 70                            |                       |                         | 80                    |                       |
| Rated Input/Output Voltage/Range(V)              | 220V/230V 0.85Un-1.1Un        |                       |                         |                       |                       |
| Grid Connection Form                             | L+N+PE                        |                       |                         |                       |                       |
| Rated Input/Output Grid Frequency/Range          | 50Hz/45Hz-55Hz 60Hz/55Hz-65Hz |                       |                         |                       |                       |
| Power Factor Adjustment Range                    | 0.8 leading-0.8 lagging       |                       |                         |                       |                       |
| Total Current Harmonic Distortion THDi           | <3% (of nominal power)        |                       |                         |                       |                       |
| DC Injection Current                             | <0.5%In                       |                       |                         |                       |                       |
| <b>Efficiency</b>                                |                               |                       |                         |                       |                       |
| Max. Efficiency                                  | 97.60%                        |                       |                         |                       |                       |
| Euro Efficiency                                  | 96.50%                        |                       |                         |                       |                       |
| MPPT Efficiency                                  | >99%                          |                       |                         |                       |                       |
| <b>Equipment Protection</b>                      |                               |                       |                         |                       |                       |
| DC Polarity Reverse Connection Protection        | Yes                           |                       |                         |                       |                       |
| AC Output Overcurrent Protection                 | Yes                           |                       |                         |                       |                       |
| AC Output Overvoltage Protection                 | Yes                           |                       |                         |                       |                       |
| AC Output Short Circuit Protection               | Yes                           |                       |                         |                       |                       |
| Thermal Protection                               | Yes                           |                       |                         |                       |                       |
| DC Terminal Insulation Impedance Monitoring      | Yes                           |                       |                         |                       |                       |

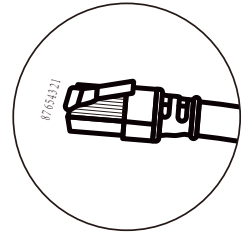
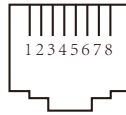
|                                      |   |
|--------------------------------------|---|
| DC Component Monitoring              | Yes   |
| Ground Fault Current Monitoring      | Yes   |
| Arc fault circuit interrupter (AFCI) | Optional  |
| Power Network Monitoring             | Yes   |
| Island Protection Monitoring         | Yes   |
| Earth Fault Detection                | Yes   |
| DC Input Switch                      | Yes   |
| Overvoltage Load Drop Protection     | Yes   |
| Residual Current (RCD) Detection     | Yes   |
| Surge Protection Level               | TYPE II(DC), TYPE II(AC)  |
| <b>Interface</b>                     |   |
| Display                              | LCD+LED   |
| Communication Interface              | RS232, RS485, CAN   |
| Monitor Mode                         | GPRS/WIFI/Bluetooth/4G/LAN(optional)  |
| <b>General Data</b>                  |   |
| Operating Temperature Range          | -40 to +60 C , >45 C Derating   |
| Permissible Ambient Humidity         | 0-100%  |
| Permissible Altitude                 | 2000m   |
| Noise                                | <30 dB  |
| Ingress Protection(IP) Rating        | IP 65   |
| Inverter Topology                    | Non-Isolated  |
| Over Voltage Category                | OVC II(DC), OVC III(AC)   |
| Cabinet size(W*H*D) [mm]             | 376W×470H×241.5D (Excluding connectors and brackets)  |
| Weight(kg)                           | 17.6   19   |
| Warranty                             | 5 Years/10 Years<br>the Warranty Period Depends the Final Installation Site of Inverter,<br>More Info Please Refer to Warranty Policy |
| Type of Cooling                      | Natural Cooling   |
| Grid Regulation                      | IEC 61727,IEC 62116,CEI 0-21,EN 50549,NRS 097,RD 140,<br>UNE 217002,OVE-Richtlinie R25,G99,VDE-AR-N 4105                              |
| Safety EMC/Standard                  | IEC/EN 61000-6-1/2/3/4, IEC/EN 62109-1, IEC/EN 62109-2  |

## 10. Appendix I

Definition of RJ45 Port Pin for RS485.

| No. | RS485/CAN Pin |
|-----|---------------|
| 1   | 485_B         |
| 2   | 485_A         |
| 3   | GND_485       |
| 4   | CAN-H         |
| 5   | CAN-L         |
| 6   | GND_485       |
| 7   | 485_A         |
| 8   | 485_B         |

RS485/CAN Port

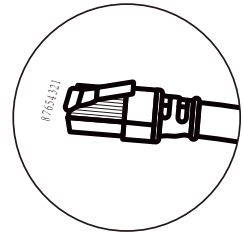
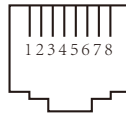


Definition of RJ45 Port Pin for Meter.

This port is used to communicate with energy meter.

| No. | Meter Pin |
|-----|-----------|
| 1   | 485-B     |
| 2   | 485-A     |
| 3   |           |
| 4   | 485-B     |
| 5   | 485-A     |
| 6   | GND       |
| 7   | 485-A     |
| 8   | 485-B     |

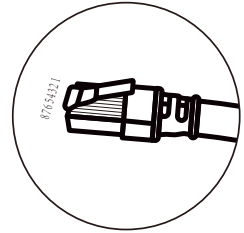
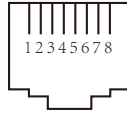
Meter port



Definition of RJ45 Port Pin for Modbus.

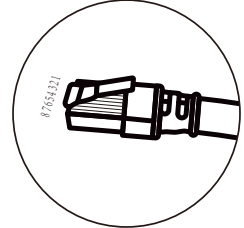
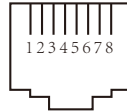
| No. | Modbus Pin     |
|-----|----------------|
| 1   | SUNSPE-485_B   |
| 2   | SUNSPE-485_A   |
| 3   | GND_SUNSPE-485 |
| 4   |                |
| 5   |                |
| 6   | GND_SUNSPE-485 |
| 7   | SUNSPE-485_A   |
| 8   | SUNSPE-485_B   |

Modbus Port



| No. | DRM Pin   |
|-----|-----------|
| 1   | DRM1/5    |
| 2   | DRM2/6    |
| 3   | DRM3/7    |
| 4   | DRM4/8    |
| 5   | REF-GEN/0 |
| 6   | GND       |
| 7   | NetDRM_7  |
| 8   | NetDRM_7  |

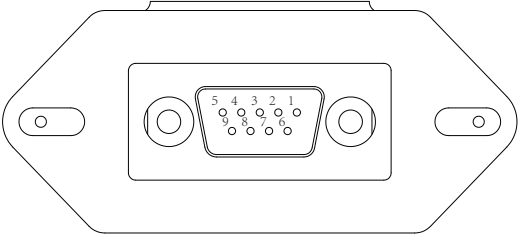
DRM port



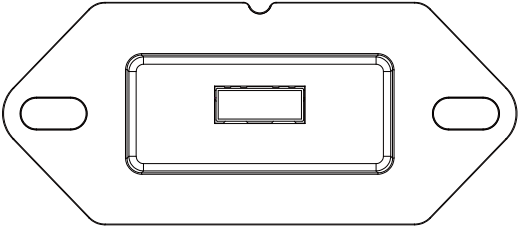
This model of inverter has two types of logger interfaces, DB9 and USB. Please refer to the actual inverter received for the actual interface type.

**RS232**

| No. | RS232 |
|-----|-------|
| 1   |       |
| 2   | TX    |
| 3   | RX    |
| 4   |       |
| 5   | D-GND |
| 6   |       |
| 7   |       |
| 8   |       |
| 9   | 12Vdc |



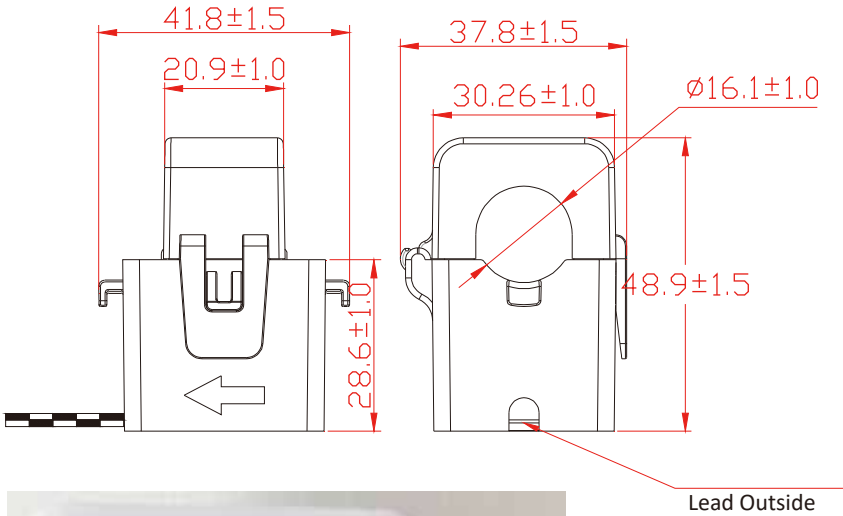
**DB9 (RS232)**



**USB**

## 11. Appendix II

1. Split Core Current Transformer (CT) dimension: (mm)
2. Secondary output cable length is 4m.



## 12. EU Declaration of Conformity

within the scope of the EU directives

- Electromagnetic compatibility 2014/30/EU (EMC)
- Low Voltage Directive 2014/35/EU (LVD)
- Restriction of the use of certain hazardous substances 2011/65/EU (RoHS)



NINGBO DEYE INVERTER TECHNOLOGY CO., LTD. confirms herewith that the products described in this document are in compliance with the fundamental requirements and other relevant provisions of the above mentioned directives. The entire EU Declaration of Conformity and certificate can be found at <https://www.deyeinverter.com/download/#hybrid-inverter-5>.

# EU Declaration of Conformity

Product: **Hybrid Inverter**

Models: SUN-3K-SG04LP1-24-EU;SUN-3K-SG04LP1-EU;

SUN-3.6K-SG04LP1-EU;SUN-5K-SG04LP1-EU;SUN-6K-SG04LP1-EU;

SUN-3K-SG04LP1-24-EU-SM1;SUN-3K-SG04LP1-EU-SM1;

SUN-3.6K-SG04LP1-EU-SM2;SUN-5K-SG04LP1-EU-SM2;SUN-6K-SG04LP1-EU-SM2;

Name and address of the manufacturer: Ningbo Deye Inverter Technology Co., Ltd.  
No. 26 South Yongjiang Road, Daqi, Beilun, NingBo, China

This declaration of conformity is issued under the sole responsibility of the manufacturer. Also this product is under manufacturer's warranty.

This declaration of conformity is not valid any longer: if the product is modified, supplemented or changed in any other way, as well as in case the product is used or installed improperly.

The object of the declaration described above is in conformity with the relevant Union harmonization legislation: The Low Voltage Directive (LVD) 2014/35/EU;the Electromagnetic Compatibility (EMC) Directive 2014/30/EU;the restriction of the use of certain hazardous substances (RoHS) Directive 2011/65/EU.

References to the relevant harmonized standards used or references to the other technical specifications in relation to which conformity is declared:

| LVD:                                 |   |
|--------------------------------------|---|
| EN 62109-1:2010                      | ● |
| EN 62109-2:2011                      | ● |
| EMC:                                 |   |
| EN IEC 61000-6-1:2019                | ● |
| EN IEC 61000-6-2:2019                | ● |
| EN IEC 61000-6-3:2021                | ● |
| EN IEC 61000-6-4:2019                | ● |
| EN IEC 61000-3-2:2019+A1:2021        | ● |
| EN 61000-3-3:2013/A2:2021/AC:2022-01 | ● |
| EN IEC 61000-3-11:2019               | ● |
| EN 61000-3-12:2011                   | ● |
| EN 55011:2016/A2:2021                | ● |

**Nom et Titre / Name and Title:**

Bard Dai  
Senior Standard and Certification Engineer  
  
NINGBO DEYE INVERTER TECHNOLOGY CO.,LTD.

**Au nom de / On behalf of:**

**Date / Date (yyyy-mm-dd):**

**A / Place:**

EU DoC - vZ

Ningbo Deye Inverter Technology Co., Ltd.

2023-10-19

Ningbo, China

Ningbo Deye Inverter Technology Co., Ltd.  
No. 26 South Yongjiang Road, Daqi, Beilun, NingBo, China

## NINGBO DEYE INVERTER TECHNOLOGY CO., LTD.

Add.: No.26 South YongJiang Road, Daqi, Beilun, NingBo, China.

Tel.: +86 (0) 574 8622 8957

Fax.: +86 (0) 574 8622 8852

E-mail: [service@deye.com.cn](mailto:service@deye.com.cn)

Web.: [www.deyeinverter.com](http://www.deyeinverter.com)



30240301004528